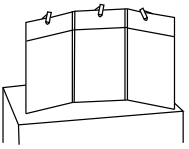
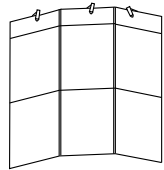
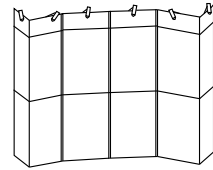
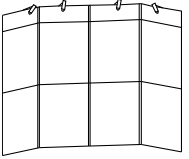
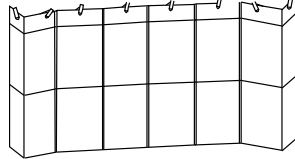
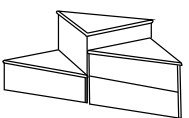
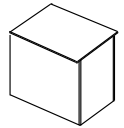
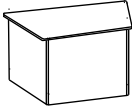


Company: _____
 Street: _____
 City: _____ Prov: _____ Postal Code: _____
 Phone: _____ Fax: _____
 Contact Name: _____ Booth #: _____

Visa MasterCard Cheque No AmEx

Card Holder Name: _____
 Card #: _____
 Expiry: M _____ Y _____
 Signature: _____

25% administration charge will apply to orders cancelled 2 weeks prior to show.
No order will be processed until payment is received. Orders must be pre-paid before closing at 5pm Monday prior to Show date to receive pre-show price.

		Pre-show	On-site
FS 28 Series			
FS 28/35 Folding Stackable 3 panel display	<input type="checkbox"/> A -	160.00	200.00
FS 28/12 Folding Stackable header	<input type="checkbox"/> B -	225.00	275.00
<input type="checkbox"/> Charcoal / Silver <input type="checkbox"/> Royal Blue / Silver	<input type="checkbox"/> C -	410.00	505.00
 A	 B		
	 C		
FS 28/35 Folding Stackable 4 panel display	<input type="checkbox"/> E -	255.00	315.00
FS 28/17 Folding Stackable header	<input type="checkbox"/> F -	535.00	675.00
<input type="checkbox"/> Charcoal / Silver reversible <input type="checkbox"/> Royal Blue / Silver			
 E	 F		
PEDESTAL BASES AND TOPS			
G - 32.5" Triangular counter top – Silver (FS 28 series bases)	<input type="checkbox"/> G - 12" h	49.00	61.00
H - 32" x 20" Rectangle counter top – Black (FS 22 series bases black only)	<input type="checkbox"/> 24" h	55.00	68.00
I - 48" x 20" Trapezoidal counter top – Silver	<input type="checkbox"/> 35" h	60.00	75.00
Bases: for G & I <input type="checkbox"/> Silver <input type="checkbox"/> Royal Blue <input type="checkbox"/> Charcoal	<input type="checkbox"/> H - 35" h	60.00	75.00
 G	<input type="checkbox"/> I - 35" h	68.00	85.00
 H			
 I			

Authorizing signature x _____

Subtotal:	_____
13% HST:	_____
Total:	_____

Complete and return to Hahn Rentals at address above.

All rates above are for the duration of show.
All claims/discrepancies must be settled prior to show closing.
REFUNDS will not be given on any orders changed or cancelled on site.
All materials remain the property of Hahn Rentals and will be removed upon show close.

95 Baffin Place, Waterloo, ON N2V 2C1
 Phone: 519-746-8955
 800-563-4246
 Fax: 519-746-2188
 Website: www.hahnrentals.com
 Email: Info@hahnrentals.com

EXHIBIT SYSTEM RENTALS



Company: _____
 Street: _____
 City: _____ Prov: _____ Postal Code: _____
 Phone: _____ Fax: _____
 Contact Name: _____ Booth #: _____

Visa MasterCard Cheque No AmEx

Card Holder Name: _____
 Card #: _____
 Expiry: M _____ Y _____
 Signature: _____

25% administration charge will apply to orders cancelled 2 weeks prior to show.
No order will be processed until payment is received. Orders must be pre-paid before closing at 5pm Monday prior to Show date to receive pre-show price.

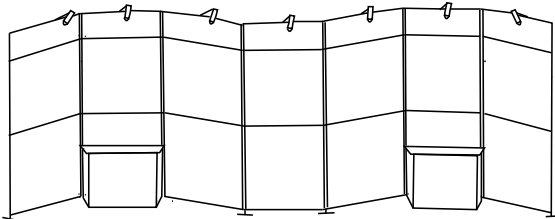
POLE / PANEL SERIES

HP style c/w 2 – 3' x 4' Panels & 1 – 16" x 4' Header per 4' section.

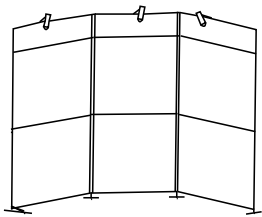
VP style c/w 2 – 4' x 3' Panels per 3' section.

- Silver Charcoal Black
 Red Royal Blue

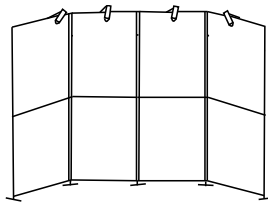
Custom design of any of these exhibits can be arranged.



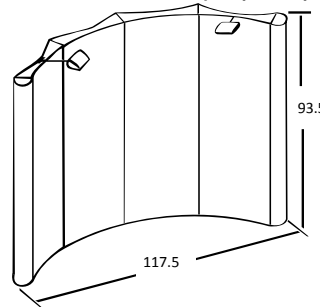
L



J



K



M

- J - HP Portable Exhibit System
 10' exhibit with 3 stem lights
 20' exhibit with 6 stem lights
- K - VP Portable Exhibit System
 10' exhibit with 4 stem lights
 20' exhibit with 8 stem lights
- L - Deluxe 20' Exhibit
 7 – 75w stem lights & 2 – 4' Trapezoidal counters
- M - 10' Hexa Black Pop-up Display

	Pre-show	On-site
<input type="checkbox"/> J - HP Portable Exhibit System		
<input type="checkbox"/> 10' exhibit with 3 stem lights	500.00	625.00
<input type="checkbox"/> 20' exhibit with 6 stem lights	1020.00	1275.00
<input type="checkbox"/> K - VP Portable Exhibit System		
<input type="checkbox"/> 10' exhibit with 4 stem lights	504.00	630.00
<input type="checkbox"/> 20' exhibit with 8 stem lights	1020.00	1275.00
<input type="checkbox"/> L - Deluxe 20' Exhibit		
7 – 75w stem lights & 2 – 4' Trapezoidal counters	1135.00	1415.00
<input type="checkbox"/> M - 10' Hexa Black Pop-up Display	500.00	625.00

Authorizing signature x _____

Subtotal:	
13% HST:	
Total:	

Complete and return to Hahn Rentals at address above.

G.S.T R104250493
 2012 Hahn Rentals

All rates above are for the duration of show.
All claims/discrepancies must be settled prior to show closing.
REFUNDS will not be given on any orders changed or cancelled on site.
All materials remain the property of Hahn Rentals and will be removed upon show close.