

# Split Learning over Wireless Networks: Parallel Design and Resource Management

Wen Wu, *Senior Member, IEEE*, Mushu Li, *Member, IEEE*, Kaige Qu, *Member, IEEE*, Conghao Zhou, *Student Member, IEEE*, Xuemin (Sherman) Shen, *Fellow, IEEE*, Weihua Zhuang, *Fellow, IEEE*, Xu Li, and Weisen Shi

**Abstract**—Split learning (SL) is a collaborative learning framework, which can train an artificial intelligence (AI) model between a device and an edge server by splitting the AI model into a device-side model and a server-side model at a cut layer. The existing SL approach conducts the training process sequentially across devices, which incurs significant training latency especially when the number of devices is large. In this paper, we design a novel SL scheme to reduce the training latency, named Cluster-based Parallel SL (CPSL) which conducts model training in a “first-parallel-then-sequential” manner. Specifically, the CPSL is to partition devices into several clusters, parallelly train device-side models in each cluster and aggregate them, and then sequentially train the whole AI model across clusters, thereby parallelizing the training process and reducing training latency. Furthermore, we propose a resource management algorithm to minimize the training latency of CPSL considering device heterogeneity and network dynamics in wireless networks. This is achieved by stochastically optimizing the cut layer selection, device clustering, and radio spectrum allocation. The proposed two-timescale algorithm can jointly make the cut layer selection decision in a large timescale and device clustering and radio spectrum allocation decisions in a small timescale. Extensive simulation results on non-independent and identically distributed data demonstrate that the proposed solution can greatly reduce the training latency as compared with the existing SL benchmarks, while adapting to network dynamics.

**Index Terms**—Split learning, parallel model training, device clustering, resource management.

## I. INTRODUCTION

With the wide deployment of Internet of things (IoT) devices and advanced sensing technologies, mobile devices are generating an unprecedented amount of data every day. Leveraging such voluminous data, state-of-the-art artificial intelligence (AI) techniques, especially deep neural networks (DNNs), have facilitated tremendous progress across a wide range of mobile applications, such as audio recognition, image classification, and object detection [1], [2]. However, the traditional centralized learning that collects device data is difficult or sometimes impossible, because privacy laws and regulations shelter device data [3], [4]. Distributed learning frameworks, e.g., federated learning (FL), train AI models

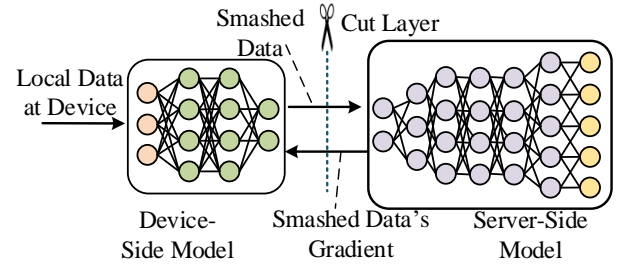


Fig. 1. SL splits the whole AI model into a device-side model (the first four layers) and a server-side model (the last six layers) at a cut layer (the fourth layer).

without sharing device data, such that data privacy can be preserved [5]. In FL, devices parallelly train a shared AI model on their respective local dataset and upload only the shared model parameters to the edge server. However, FL suffers from significant communication overhead since large-size AI models are uploaded and prohibitive device computation workload since the computation-intensive training process is only conducted at devices.

Split learning (SL), as an emerging collaborative learning framework, can effectively address the above issues. As shown in Fig. 1, the basic idea of SL is to split an AI model at a *cut layer* into a *device-side model* running on the device and a *server-side model* running on the edge server. The procedure of SL is as follows. First, the device executes the device-side model with local data and sends intermediate output associated with the cut layer, i.e., *smashed data*, to the edge server, and then the edge server executes the server-side model, which completes the forward propagation (FP) process. Second, the edge server updates the server-side model and sends *smashed data's gradient* associated with the cut layer to the device, and then the device updates the device-side model, which completes the backward propagation (BP) process. In this way, the SL process for one device is completed. Next, the updated device-side model is transferred to the next device to repeat the above process until all the devices are trained. In SL, small-size device-side models, smashed data, and smashed data's gradients are exchanged between devices and the edge server, resulting in reduced communication overhead as compared with uploading the whole AI model in FL. In addition, the device computation workload is reduced, since devices only train a part of the AI model. In the LeNet example shown in

Wen Wu is with the Frontier Research Center, Peng Cheng Laboratory, Shenzhen, China, 518055, email: wuw02@pcl.ac.cn.

Mushu Li, Kaige Qu, Conghao Zhou, Xuemin (Sherman) Shen, and Weihua Zhuang are with the Department of Electrical and Computer Engineering, University of Waterloo, Waterloo, Ontario, N2L 3G1, Canada, email: {m475li, k2qu, c89zhou, sshen, wzhuang}@uwaterloo.ca.

Xu Li and Weisen Shi are with Huawei Technologies Canada Inc., Ottawa, Ontario, K2K 3J1, Canada, email: {xu.lica, weisen.shi1}@huawei.com.

Corresponding author: Kaige Qu.

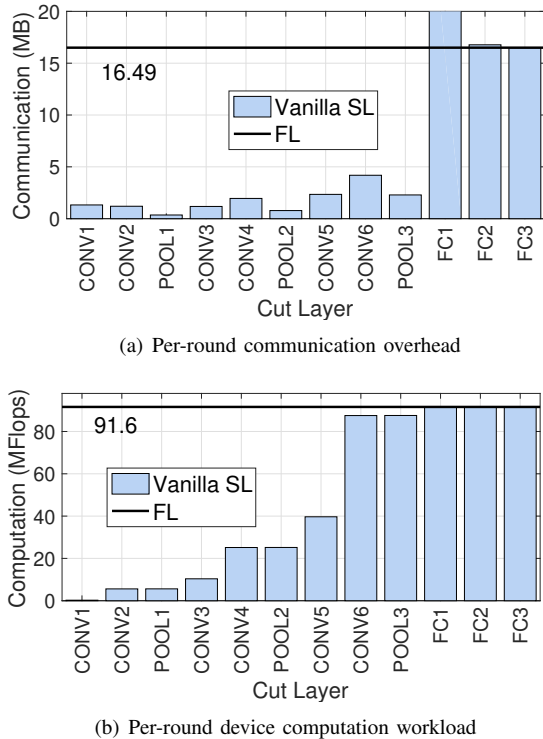


Fig. 2. The communication overhead and device computation workload of SL with different cut layers for a LeNet example.

Fig. 2, compared with FL, SL with cut layer POOL1 reduces per-round communication overhead by 97.8% from 16.49 MB to 0.35 MB, and per-round device computation workload for processing one data sample by 93.9% from 91.6 MFlops to 5.6 MFlops. Due to its superior efficiency, SL is potentially suitable to resource-constrained IoT devices [6]. However, when multiple devices participate in SL, all the devices interact with the edge server in a *sequential* manner, incurring significant training latency especially when the number of devices is large. To reduce the training latency, can we conduct the training process in a more efficient manner?

In this paper, we propose a novel low-latency SL scheme, named Cluster-based Parallel SL (CPSL), which parallelizes the device-side model training. At the beginning of the training process, all the devices are partitioned into several clusters, i.e., *device clustering*. The procedure of the CPSL operates in a “first-parallel-then-sequential” manner, including: (1) *intra-cluster learning* - In each cluster, devices parallelly train respective device-side models based on local data, and the edge server trains the server-side model based on the concatenated smashed data from all the participating devices in the cluster. Then, the device-side models are uploaded to the edge server and aggregated into a new device-side model; and (2) *inter-cluster learning* - The updated device-side model is transferred to the next cluster for intra-cluster learning. In this way, the AI model is trained in a sequential manner across clusters. In the CPSL, device-side models in each cluster are parallelly trained, which overcomes the sequential nature of SL and hence greatly reduces the training latency. We establish mathematical models to theoretically analyze the training latency of the CPSL.

Furthermore, we propose a resource management algorithm to efficiently facilitate the CPSL over wireless networks. Device heterogeneity and network dynamics lead to a significant straggler effect in CPSL, because the edge server requires the updates from all the participating devices in a cluster for server-side model training. To overcome this limitation, we investigate the resource management problem in the CPSL, which is formulated into a stochastic optimization problem to minimize the training latency by jointly optimizing cut layer selection, device clustering, and radio spectrum allocation. Due to the correlation among decision variables, network dynamics, and implicit objective function, the problem is difficult to solve. We decompose the problem into two sub-problems by exploiting the timescale separation of the decision variables, and then propose a two-timescale algorithm. Specifically, in the large timescale for the entire training process, a sample average approximation (SAA) algorithm is proposed to determine the optimal cut layer. In the small timescale for each training round, a joint device clustering and radio spectrum allocation algorithm is proposed based on the Gibbs sampling theory. Extensive simulation results on real-world non-independent and identically distributed (non-IID) data demonstrate that the newly proposed CPSL scheme with the corresponding resource management algorithm can greatly reduce training latency as compared with the state-of-the-art SL benchmarks, while adapting to network dynamics. The main contributions of this paper are summarized as follows:

- We propose a novel low-latency CPSL scheme by introducing parallel model training. We further theoretically analyze the training latency of the CPSL;
- We formulate resource management as a stochastic optimization problem to minimize the training latency considering network dynamics and device heterogeneity;
- We propose a two-timescale resource management algorithm to jointly determine cut layer selection, device clustering, and radio spectrum allocation.

The remainder of this paper is organized as follows. Related works and system model are presented in Sections II and III, respectively. The CPSL scheme is proposed in Section IV, along with training latency analysis in Section V. We formulate the resource management problem in Section VI, and the corresponding algorithm is presented in Section VII. Simulation results are provided in Section VIII. Finally, Section IX concludes this research.

## II. RELATED WORK

Federated learning is arguably the most popular distributed learning method in recent years, which has been widely investigated. Extensive works are devoted to optimizing FL performance from different research directions, such as multi-tier FL framework design to accommodate a large number of devices [7], [8], and model aggregation and compression techniques to reduce communication overhead [9], [10]. More importantly, to facilitate FL over dynamic wireless networks, several pioneering works develop tailored resource allocation algorithms for FL considering communication link unreliability [11], [12] and energy efficiency [13], [14]. We

Table I  
SUMMARY OF NOTATIONS.

Notation	Description
$\mathbf{A}$	Device clustering decision
$B$	Mini-batch size
$D(\cdot)$	Training latency function
$f_s$	Edge server computing capability
$\mathbf{f}$	Device computing capabilities
$\mathbf{h}$	Device channel conditions
$\mathcal{L}$	Set of local epochs
$L(\mathbf{w})$	Average loss function with model parameter $\mathbf{w}$
$l(\mathbf{z}, y)$	Loss function for data sample $(\mathbf{x}, y)$
$\mathcal{M}$	Set of clusters
$\mathcal{N}$	Set of devices
$\mathcal{K}_m$	Set of devices in cluster $m$
$G$	Number of iterations
$\mathcal{S}_{m,k}$	Smashed data of device $k$ in cluster $m$
$\mathcal{T}$	Set of training rounds
$v, \mathcal{V}$	Cut layer and the set of cut layers
$W$	Subcarrier bandwidth
$\mathbf{w}$	Model parameter
$\mathbf{w}_{m,k}^d$	Device-side model of device $k$ in cluster $m$
$\mathbf{w}_m^e$	Server-side model in cluster $m$
$\mathbf{x}_m$	Radio spectrum allocation decision in cluster $m$
$\tilde{\mathbf{w}}_m^d$	Aggregated device-side model parameter in cluster $m$
$\eta_d, \eta_e$	Learning rates of device/server-side models
$\xi_s, \xi_g$	Data sizes of smashed data and smashed data's gradient
$\xi_d$	Data size of the device-side model
$\gamma_s^B, \gamma_s^F$	Server-side model's BP and FP computation workloads
$\gamma_d^B, \gamma_d^F$	Device-side model's BP and FP computation workloads
$\kappa$	Computing intensity of processing units
$\delta$	Smooth factor
$\nabla l(\mathbf{w})$	Loss function's gradient

refer interested readers to recent comprehensive surveys on FL [15]–[18].

Different from FL, the research on SL is still in its infancy. The idea of SL (or collaborative DNN training) is first introduced in [19]. For the basic knowledge on SL, one can refer to a tutorial paper and references therein [20]. Under some assumptions, SL is functionally equivalent to centralized learning on the aggregated datasets [19]. Recently, due to its superior efficiency and simplicity, SL is gaining substantial interest from industry and academia. In industry, an SL framework is implemented in some open-source applications [21], [22], and relevant services are developed by start-ups [23]. In academia, there are a growing body of research works investigating SL. A line of works conduct empirical studies in different scenarios. Koda *et al.* apply SL to depth-image based millimeter-wave received power prediction, in which a significant communication latency reduction gain is achieved [24]. A few works apply SL in medical fields, such as X-ray image classification [25]. Another work investigates SL performance in IoT devices [6]. An early empirical work compares the performance of SL with FL in terms of communication overhead [26]. The preceding works have attested SL performance gain in various settings. Recently, some works are investigating privacy and security issues in SL. A pioneering work states that SL achieves a higher privacy level than FL, since devices cannot access the server-side model and hence AI model privacy is preserved [27]. Pasquini *et al.* study detailed privacy issues and attack schemes in the SL framework, by taking insecure edge servers and structural vulnerabilities of the SL protocol into consideration [28]. Another line of works focus on designing

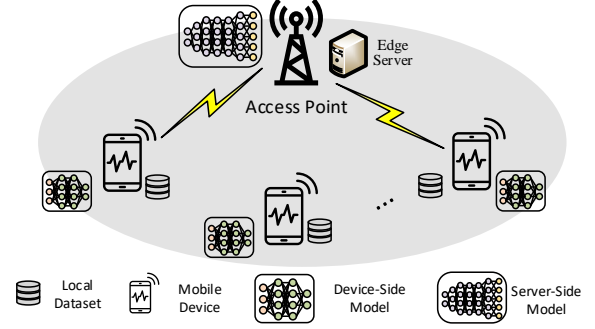


Fig. 3. The SL framework in wireless networks.

and optimizing SL schemes. An SL variant with two cut layers is proposed, in which the first and the last layers are kept at devices, thereby avoiding sharing both data samples and their labels [29]. A pioneering work proposes an online learning algorithm to determine the optimal cut layer to minimize the training latency [30]. An extended work in [31] studies a more complicated SL scheme with multiple cut layers, using a low-complexity algorithm to select the optimal set of cut layers. As most of the existing studies do not incorporate network dynamics, e.g., channel conditions, as well as device computing capabilities, they may fail to identify the optimal cut layer in the long-term training process. Moreover, while the above works can enhance SL performance, they focus on SL for one device and do not exploit any parallelism for training multiple devices, thereby suffering from long training latency when multiple devices are considered.

Recently, a few early research works are proposed to reduce training latency [27], [32], [33]. More prominently, a pioneering work combines the ideas of SL and FL to parallelize the training process [27]. This work deploys multiple server-side models to parallelize the training process at the edge server, which speeds up SL at the cost of abundant storage and memory resources at the edge server, especially when the number of devices is large. Different from the existing works, we focus on a parallel SL solution with only one shared server-side model for supporting a large number of devices. Furthermore, taking network dynamics and device heterogeneity into account, we propose a resource management algorithm to optimize the performance of the proposed solution over wireless networks.

### III. SYSTEM MODEL

As shown in Fig. 3, we consider a typical SL scenario over a wireless network comprising an access point (AP) and multiple devices.

- AP: The AP is equipped with an edge server that can perform server-side model training. A server-side model, denoted by  $\mathbf{w}^e$ , is deployed at the AP. In addition, it is in charge of collecting network information, such as device computing capabilities and channel conditions, for making resource management decisions.

- **Device:** The set of devices is denoted by  $\mathcal{N} = \{1, 2, \dots, N\}$  where  $N$  denotes the number of devices. Each device is deployed with a device-side model, denoted by  $\mathbf{w}^d$ . The whole AI model is denoted by

$$\mathbf{w} = \{\mathbf{w}^d; \mathbf{w}^e\}. \quad (1)$$

The devices are endowed with computing capabilities, which can perform device-side model training. Each device possesses a local dataset,  $\mathcal{D}_n = \{\mathbf{z}_i, y_i\}_{i=1}^{D_n}, \forall n \in \mathcal{N}$ . Here,  $\mathbf{z}_i \in \mathbb{R}^{Q \times 1}$  and  $y_i \in \mathbb{R}^{1 \times 1}$  represent an input data sample and its corresponding label, respectively, where  $Q$  denotes the dimension of the input data sample. The aggregated dataset over all devices is represented by  $\mathcal{D} = \cup_{n=1}^N \mathcal{D}_n$ . A summary of important notations in this paper is given in Table I.

In SL, the AP and devices collaboratively train the considered AI model without sharing the local data at devices. Let  $l(\mathbf{z}_i, y_i; \mathbf{w})$  represent the sample-wise loss function that quantifies the prediction error of data sample  $\mathbf{z}_i$  with regard to its label  $y_i$  given model parameter  $\mathbf{w}$ .<sup>1</sup> The average loss function for device  $n$  is given by  $L_n(\mathbf{w}) = \frac{1}{|\mathcal{D}_n|} \sum_{\{\mathbf{z}_i, y_i\} \in \mathcal{D}_n} l(\mathbf{z}_i, y_i; \mathbf{w}), \forall n \in \mathcal{N}$ . The global loss function,  $L(\mathbf{w})$ , is the average with weights proportional to the number of data samples in each dataset, which is given by

$$L(\mathbf{w}) = \frac{\sum_{n \in \mathcal{N}} |\mathcal{D}_n| L_n(\mathbf{w})}{\sum_{n \in \mathcal{N}} |\mathcal{D}_n|}. \quad (2)$$

The problem of SL boils down to identifying optimal model parameter  $\mathbf{w}^*$  with minimum global loss, i.e.,  $\mathbf{w}^* = \arg \min_{\mathbf{w}} L(\mathbf{w})$ .

To this end, the model parameter is *sequentially* trained across devices in the vanilla SL scheme, i.e., conducting model training with one device and then moving to another device, as shown in Fig. 4(a). Sequentially training behaviour may incur significant training latency since it is proportional to the number of devices, especially when the number of participating devices is large and device computing capabilities are limited. Such limitation motivates the following design of a parallel version of SL for training latency reduction.

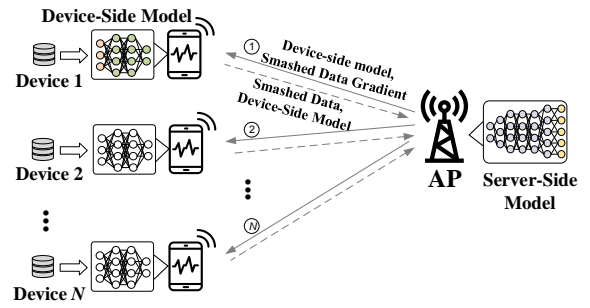
#### IV. CPSL SCHEME DESIGN

In this section, we present the low-latency CPSL scheme, as illustrated in Fig. 4(b). The *core idea* of the CPSL is to partition devices into several clusters, parallelly train device-side models in each cluster and aggregate them, and then sequentially train the whole AI model across clusters. The detailed procedure of the CPSL is presented in Alg. 1.

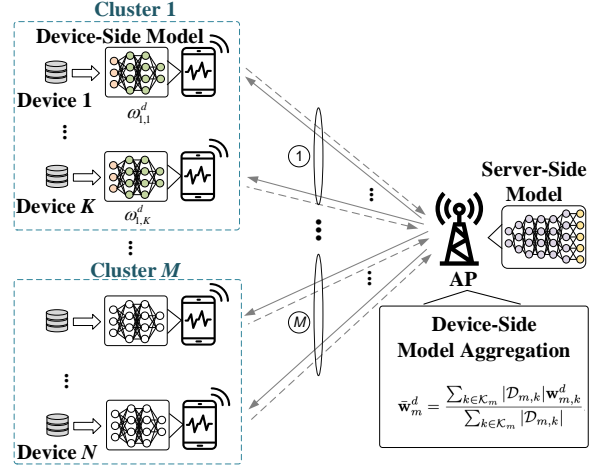
##### A. Initialization

In the *initialization* stage, the model parameter is initialized randomly, and the optimal cut layer for minimizing training latency is selected using Alg. 2 (to be discussed). After initialization, the CPSL operates in consecutive *training*

<sup>1</sup>There are several types of loss functions in model training, such as cross-entropy, mean squared error, and log likelihood [14], [34]. In the simulation, the log likelihood loss function is adopted.



(a) Vanilla SL



(b) Proposed CPSL

Fig. 4. (a) In the vanilla SL, devices are trained sequentially; and (b) in the CPSL, devices are trained parallelly in each cluster while clusters are trained sequentially.

*rounds* until the optimal model parameter is identified. It is assumed that all the participating devices in one training round stay in AP's coverage with unchanged device channel conditions and computing capabilities. At each training round,  $t \in \mathcal{T} = \{1, 2, \dots, T\}$ , the following intra-cluster learning and inter-cluster learning stages are performed.

##### B. Intra-Cluster Learning Stage

The intra-cluster learning stage is to facilitate parallel model training for devices within a cluster, consisting of the following steps.

*Step 1 - Device clustering (Lines 3-4).* In this step, the AP collects information including computing capabilities and channel conditions of participating devices, and then partitions devices into multiple clusters. The device clustering decision making algorithm is detailed in Alg. 4 (to be discussed). Let  $M$  denote the number of clusters, and  $\mathcal{M}$  is the set of clusters. The set of devices of cluster  $m$  is denoted by  $\mathcal{K}_m, \forall m \in \mathcal{M}$ . We have  $\cup_{m=1}^M \mathcal{K}_m = \mathcal{N}$ , and  $\mathcal{K}_n \cap \mathcal{K}_m = \emptyset$  if  $n \neq m$ . The following steps are to facilitate parallel device-side model training in a cluster.

*Step 2 - Device-side model distribution (Line 6).* In this step, the AP broadcasts the initial device-side model, denoted by  $\mathbf{w}_m^d(t)$ , to all the participating devices in cluster  $m$ .

---

**Algorithm 1:** Cluster-based parallel split learning (CPSL) scheme.
 

---

**Input:**  $B, \eta_d, \eta_e$ , and,  $K$ ;  
**Output:**  $\mathbf{w}^*$ ;

- 1 Initialize model parameter and determine the cut layer using Alg. 2;
- 2 **for** training round  $t = 1, 2, \dots, T$  **do**
- 3   AP collects computing capabilities and channel conditions of all the devices;
- 4   AP partitionss devices into clusters using Alg. 4;
- 5   **for** cluster  $m = 1, 2, \dots, M$  **do**
- 6     AP broadcasts the latest device-side model to participating devices in cluster  $m$ ;
- 7     **for** local epoch  $l = 1, 2, \dots, L$  **do**
- 8       **for** each device **in parallel** **do**
- 9          Draw a mini-batch of data samples;
- 10         Execute device-side model and obtain smashed data via (4);
- 11         Transmit smashed data to the AP with allocated radio spectrum using Alg. 3;
- 12       **end**
- 13       AP concatenates smashed data and executes the server-side model via (5);
- 14       AP updates the server-side model via (6);
- 15       AP transmits smashed data's gradient to participating devices;
- 16       **for** each device **in parallel** **do**
- 17          Update the device-side model using (7);
- 18       **end**
- 19     **end**
- 20     **for** each device **in parallel** **do**
- 21       Upload the device-side model to the AP with allocated radio spectrum;
- 22     **end**
- 23     AP aggregates device-side models into a new device-side model via (8);
- 24 **end**
- 25 **end**

---

The AI model is trained for  $L$  local epochs, indexed by  $l \in \mathcal{L} = \{1, 2, \dots, L\}$ . Let  $\mathbf{w}_{m,k}^d(t, l)$  denote the device-side model parameters of device  $k$  in cluster  $m$  at epoch  $l$  in training round  $t$ . In the first local epoch, we have

$$\mathbf{w}_{m,k}^d(t, 1) \leftarrow \mathbf{w}_m^d(t), \forall k \in \mathcal{K}_m. \quad (3)$$

All participating devices in a cluster share the same server-side model at each local epoch, denoted by  $\mathbf{w}_m^e(t, l)$ .

*Step 3 - Model execution (Lines 8-13).* This step is to execute the model to compute the predicted results based on drawn data samples, i.e., the FP process. Steps 2 and 3 are repeated for  $L$  times. The whole AI model execution is split into two phases, including device-side model execution and server-side model execution.

- *Device-side model execution:* Firstly, each device randomly draws a mini-batch of data samples, denoted by  $\mathcal{B}_{m,k}(t, l) \subseteq \mathcal{D}_{m,k}$ , from its local dataset. Here,  $B = |\mathcal{B}_{m,k}(t, l)|$  is the mini-batch size, and  $\mathcal{D}_{m,k}$  denotes the dataset possessed by device  $k$ . Let  $\mathbf{Z}_{m,k}(t, l) \in \mathbb{R}^{B \times Q}$ ,  $\forall k \in \mathcal{K}_m$  denote the aggregated input of the mini-batch of data samples in device  $k$ . Secondly, each device executes its respective device-side model with the drawn data samples, and obtains smashed data  $\mathbf{S}_{m,k}(t, l) \in$

$\mathbb{R}^{B \times P}$ , i.e.,

$$\mathbf{S}_{m,k}(t, l) = f(\mathbf{Z}_{m,k}(t, l); \mathbf{w}_{m,k}^d(t, l)), \forall k \in \mathcal{K}_m, l \in \mathcal{L} \quad (4)$$

where  $f(\mathbf{z}; \mathbf{w})$  represents the mapping function between input  $\mathbf{z}$  and output given model parameter  $\mathbf{w}$ . Here,  $P$  is the dimension of smashed data for one data sample. Thirdly, each device transmits its smashed data to the AP with the allocated radio spectrum determined by Alg. 3 (to be discussed).

- *Server-side model execution:* The AP receives the smashed data from participating devices and then concatenates them into matrix  $\mathbf{S}_m^{\text{con}}(t, l) = [\mathbf{S}_{m,1}(t, l); \mathbf{S}_{m,2}(t, l); \dots; \mathbf{S}_{m,K_m}(t, l)] \in \mathbb{R}^{K_m B \times P}$ , which is fed into the server-side model  $\mathbf{w}_m^e(t, l)$ . As such, the predicted result from the server-side model is given by

$$\hat{\mathbf{y}}(t, l) = f(\mathbf{S}_m^{\text{con}}(t, l); \mathbf{w}_m^e(t, l)) \in \mathbb{R}^{K_m B \times 1}, \forall l \in \mathcal{L}. \quad (5)$$

With (4) and (5), the one-round FP process of the whole model is completed.

*Step 4 - Model update (Lines 14-18).* This step is to update the whole AI model by minimizing the loss function, which is the BP process. Similar to model execution, the model update includes device-side model update and server-side model update.

- *Server-side model update:* Given the predicted results and the corresponding ground-truth labels, the average gradient of the loss function can be calculated and denoted by  $\nabla l(\mathbf{w})$ . Then, the server-side model is updated by using the stochastic gradient descent (SGD) method:

$$\mathbf{w}_m^e(t, l+1) \leftarrow \mathbf{w}_m^e(t, l) - \eta_e \nabla l(\mathbf{w}_m^e(t, l)), \forall l \in \mathcal{L} \quad (6)$$

where  $\eta_e$  is the learning rate for the server-side model update. The model parameters are updated layer-wise from the last layer to the cut layer according to the chain rule for gradient calculation. When the gradient calculation proceeds to the cut layer, the gradient of a minibatch of data samples, namely smashed data's gradient, is sent back to its corresponding device.

- *Device-side model update:* With the received smashed data's gradient, each device-side model is updated by using the SGD method:

$$\mathbf{w}_{m,k}^d(t, l+1) \leftarrow \mathbf{w}_{m,k}^d(t, l) - \eta_d \nabla l(\mathbf{w}_{m,k}^d(t, l)), \quad (7)$$

$$\forall k \in \mathcal{K}_m, l \in \mathcal{L}$$

where  $\eta_d$  is the learning rate for the device-side model update. With (6) and (7), the one-round BP process is completed.

*Step 5 - Model aggregation (Lines 20-23).* This step is to aggregate the device-side models of participating devices in a cluster. After completing  $L$  local epochs, the trained device-side models are uploaded to the AP and then aggregated via the FedAvg algorithm [5], i.e.,

$$\bar{\mathbf{w}}_m^d(t) = \frac{\sum_{k \in \mathcal{K}_m} |\mathcal{D}_{m,k}| \mathbf{w}_{m,k}^d(t, L+1)}{\sum_{k \in \mathcal{K}_m} |\mathcal{D}_{m,k}|}. \quad (8)$$

In (8), device-side models are averagely aggregated based on the number of possessed data samples at each device.

### C. Inter-Cluster Learning

This stage is to transfer the aggregated device-side model from one cluster to another cluster for continuing the training process, i.e.,

$$\mathbf{w}_{m+1}^d(t) \leftarrow \bar{\mathbf{w}}_m^d(t), \forall m = 1, 2, \dots, M-1. \quad (9)$$

Then, the AP broadcasts the updated device-side model to devices in the next cluster. Each cluster conducts the intra-cluster learning stage until all clusters complete the training process. In this way, the inter-cluster learning stage is performed in a sequential manner across clusters, which is similar to SL.

It is worth noting that, different from the vanilla SL scheme that only operates in a sequential manner, the proposed CPSL operates in a “first-parallel-then-sequential” manner. Devices in each cluster are trained parallelly, while clusters are trained sequentially, thereby folding the entire training process and reducing the training latency. Extensive simulation results in Section VIII validate that the training latency can be significantly reduced.

### D. Terminating Condition

The AP is in charge of terminating the training process. During the intra-cluster learning stage, AP measures the evaluation accuracy on the evaluation dataset, by comparing predicted results and the corresponding ground-truth labels. When all clusters are trained, the average evaluation accuracy is measured, denoted by  $\theta(t)$ . When  $\theta(t)$  is larger than model accuracy threshold  $\theta^{th}$ , the training process is terminated.

*Discussion 1:* In practical systems, device-side operations can be interrupted due to network disconnections, device interruption, etc. If the device disconnects during device-side model training, other devices have to wait for the disconnected device, thereby incurring a long training delay. To address this issue, a timeout mechanism can be incorporated in the CPSL scheme. Given the collected device-specific large-scale channel condition and computing capability, the timeout value of each participating device can be accurately estimated. Once the timeout of a device occurs, the update from this device can be disregarded. The edge server continues to conduct server-side operations, thereby avoiding a long training delay.

## V. TRAINING LATENCY ANALYSIS

In this section, we present the decision variables in the proposed CPSL, based on which we analyze its training latency.

### A. Decision Variables in CPSL

In the CPSL, the following decision variables should be determined.

- *Cut layer selection:* At the beginning of the entire training process, the cut layer selection decision, denoted by  $v$ , is

determined beforehand based on historical data of computing capabilities and channel conditions of participating devices. The decision is constrained by

$$v \in \mathcal{V} \quad (10)$$

where  $\mathcal{V} = \{2, 3, \dots, V\}$  is the set of available cut layers in the considered AI model. Here, we consider a chain-topology DNN in this paper, and  $V$  is the number of DNN layers. It is worth noting that the cut layer can not be the input layer for device data privacy preservation consideration. A special case is that cut layer  $v = V$  means an empty server-side model. In other words, the CPSL scheme degrades to the FL scheme with  $K_m$  devices.

- *Device clustering:* At each training round, the device clustering decision is made based on the collected devices’ channel conditions and computing capabilities, denoted by binary matrix  $\mathbf{A}^t \in \mathbb{R}^{N \times M}$ ,  $\forall t \in \mathcal{T}$ . Each element is constrained by

$$a_{n,m}^t \in \{0, 1\}, \forall n \in \mathcal{N}, m \in \mathcal{M}, t \in \mathcal{T}, \quad (11a)$$

$$\sum_{m \in \mathcal{M}} a_{n,m}^t = 1, \forall n \in \mathcal{N}, t \in \mathcal{T}. \quad (11b)$$

In (11a),  $a_{n,m} = 1$  indicates that device  $n$  is associated to cluster  $m$ , and  $a_{n,m} = 0$  otherwise. Here, constraint (11b) guarantees each device is associated to only one cluster.

- *Radio spectrum allocation:* In each intra-cluster learning stage, we consider the frequency-division multiple access for data transmission. Let  $\{\mathbf{x}_1^t, \mathbf{x}_2^t, \dots, \mathbf{x}_M^t\}$  denote the radio spectrum allocation decision where  $\mathbf{x}_m^t \in \mathbb{Z}^{K_m \times 1}$  represents the decision for cluster  $m$ . Each element

$$x_{m,k}^t \in \mathbb{Z}^+, \forall k \in \mathcal{K}_m, m \in \mathcal{M}, t \in \mathcal{T} \quad (12)$$

represents the number of subcarriers allocated to device  $k$  in cluster  $m$ , where  $\mathbb{Z}^+$  is the set of positive integers. Note that the number of allocated subcarriers should not exceed the radio spectrum capacity, i.e.,

$$\sum_{k \in \mathcal{K}_m} x_{m,k}^t \leq C, \forall m \in \mathcal{M}, t \in \mathcal{T} \quad (13)$$

where  $C$  represents the total number of subcarriers.

### B. Training Latency

The training latency of the CPSL is analyzed given the above decisions. The entire training process consists of multiple rounds, and each round consists of multiple stages in each cluster. To characterize the overall training latency, per-cluster training latency is analyzed.<sup>2</sup> For notation simplicity, we omit  $t$  in this subsection.

In the CPSL scheme, the AP waits for the update from all the participating devices, including two cases: (1) in each local epoch training, the AP waits for smashed data to perform

<sup>2</sup>We assume that the propagation latency is negligible in the training latency. This is because the propagation latency in existing 5G networks (less than 1 ms [35], [36]) is much smaller than the computation and communication latency in the training process.

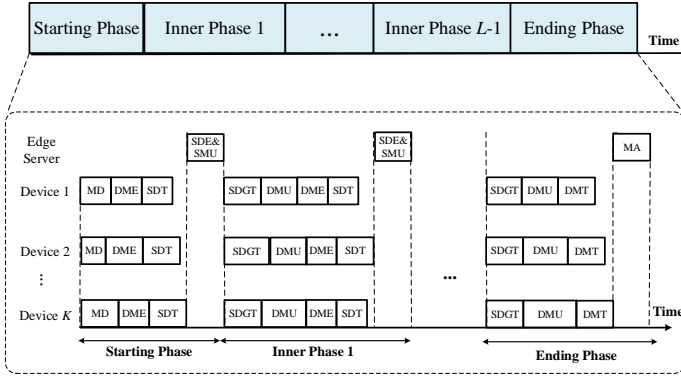


Fig. 5. The procedure of the model training process in each cluster consists of a starting phase, multiple inner phases, and an ending phase.

server-side model execution; and (2) in each intra-cluster learning, the AP waits for device-side models to perform model aggregation. According to the AP's operation, the per-cluster training process can be divided into  $L + 1$  phases in a chronological manner, whose detailed structure is shown in Fig. 5. The first one is a *starting phase*, which spans from device-side model distribution to server-side model update in the first local epoch. The last one is an *ending phase*, which spans from smashed data's gradient transmission in the last local epoch to device-side model aggregation. The remaining ones are  $L-1$  identical *inner phases*, each of which spans from smashed data's gradient transmission in the previous local epoch to server-side model update in the next local epoch. Note that if the number of local rounds equals 1, no inner phase exists. The detailed analysis is as follows.

1) *Starting Phase*: The latency of the starting phase includes the following four components.

- *Model distribution (MD) latency*: At the beginning of the CPSL scheme, the latest device-side model is broadcast to all the participating devices in the cluster using all subcarriers. Let  $\xi_d(v)$  denote the data size (in bits) of the device-side model, depending on cut layer  $v$ . The average downlink transmission rate of a subcarrier from the AP to device  $k$  is given by [37], [38]

$$R_k^{DL} = \mathbb{E}_{h_k} \left[ W \log_2 \left( 1 + \frac{P^{DL} |h_k|^2}{N_o W} \right) \right], \forall k \in \mathcal{K}_m \quad (14)$$

where  $W$ ,  $P^{DL}$ ,  $h_k$ , and  $N_o$  represent the subcarrier bandwidth, AP's transmission power, channel gain, and thermal noise spectrum density, respectively. Hence, the MD latency is given by

$$\tau_{b,k} = \frac{\xi_d(v)}{C R_k^{DL}}, \forall k \in \mathcal{K}_m. \quad (15)$$

- *Device-side model execution (DME) latency*: The device-side model execution refers to the device-side model's FP process. Let  $\gamma_d^F(v)$  denote the computation workload (in FLOPs) of device-side model's FP process for processing one data sample [39], [40]. The device-side model execution needs to process a mini-batch of data samples, and the overall computation workload is  $B\gamma_d^F(v)$ . The DME

latency is given by

$$\tau_{d,k} = \frac{B\gamma_d^F(v)}{f_k \kappa}, \forall k \in \mathcal{K}_m \quad (16)$$

where  $f_k$  denotes the central processing unit (CPU) capability of device  $k$ , and  $\kappa$  denotes the computing intensity.<sup>3</sup>

- *Smashed data transmission (SDT) latency*: Each device transmits the smashed data to the AP using the allocated radio spectrum. Let  $\xi_s(v)$  denote the smashed data size with respect to one data sample, also depending on cut layer  $v$ . For a minibatch of  $B$  data samples, the transmitted smashed data size in bits is represented by  $B\xi_s(v)$ . For device  $k$ , the number of allocated subcarriers is given by  $x_{m,k}$ . Similar to (14), the average uplink transmission rate of a subcarrier for device  $k$  is given by  $R_k^{UL} = \mathbb{E}_{h_k} \left[ W \log_2 \left( 1 + P^{UL} |h_k|^2 / N_o W \right) \right]$ , where  $P^{UL}$  represents transmission power of a device.<sup>4</sup> Hence, the SDT latency is given by

$$\tau_{s,k} = \frac{B\xi_s(v)}{x_{m,k} R_k^{UL}}, \forall k \in \mathcal{K}_m. \quad (17)$$

- *Server-side model execution (SME) and server-side model update (SMU) latency*: The latency component includes two parts: (1) the SME latency represents the time taken for performing the server-side model's FP process. Let  $\gamma_s^F(v)$  denote the computation workload of the server-side model's FP process for processing one data sample. Since all the smashed data are fed for training the server-side model, the number of the concatenated smashed data samples is  $K_m B$ , and the overall computation workload is  $K_m B \gamma_s^F(v)$ . Similar to (16), the SME latency is given by  $K_m B \gamma_s^F(v) / f_s \kappa$ , where  $f_s$  denotes the CPU capability of the edge server; and (2) the second part is the time taken for performing the BP process of the server-side model. Let  $\gamma_s^B(v)$  represent the computation workload of the server-side model's BP process for one data sample. Similarly, the SMU latency is given by  $K_m B \gamma_s^B(v) / f_s \kappa$ . Taking the two parts into account, the overall latency is given by

$$\tau_e = \frac{K_m B (\gamma_s^F(v) + \gamma_s^B(v))}{f_s \kappa}. \quad (18)$$

Taking the latency components in (15), (16), (17), and (18) into account, the overall latency of the starting phase is given by

$$d_m^S = \max_{k \in \mathcal{K}_m} \{ \tau_{b,k} + \tau_{d,k} + \tau_{s,k} \} + \tau_e, \forall m \in \mathcal{M} \quad (19)$$

where the first term,  $\max_{k \in \mathcal{K}_m} \{ \tau_{b,k} + \tau_{d,k} + \tau_{s,k} \}$ , is to account that all the smashed data should be received before server-side

<sup>3</sup>The value of  $\kappa$  represents the number of FLOPs can be completed in one CPU cycle, which is determined by the processor architecture. Note that the above latency analysis that can be readily extended to the case using graphics processing units (GPUs), in which GPUs take a different value of  $\kappa$  [39], [40].

<sup>4</sup>Note that we consider the time division duplex in the network, such that uplink and downlink channel conditions can be assumed to be identical by utilizing channel reciprocity.

model execution.

2) *Inner Phase*: The latency of each inner phase includes components from smashed data's gradient transmission (SDGT), device-side model update (DMU), DME, SDT, SME, and SMU. The last four latency components have been analyzed above, and we analyze the first two components.

- *SDGT latency*: After SME and SMU are performed, smashed data's gradient is sent back to each device using the allocated radio spectrum. Let  $\xi_g(v)$  denote the data size of smashed data's gradient. Similar to (17), the latency is given by

$$\tau_{g,k} = \frac{\xi_g(v)}{x_{m,k} R_k^{DL}}, \forall k \in \mathcal{K}_m. \quad (20)$$

- *DMU latency*: The device-side model update refers to the BP process updating device-side model parameters. Let  $\gamma_d^B(v)$  represent the computation workload of the device-side model's BP process for one data sample. Similar to (18), we have

$$\tau_{u,k} = \frac{B\gamma_d^B(v)}{f_k \kappa}, \forall k \in \mathcal{K}_m. \quad (21)$$

The cut layer affects the computation workload distribution between the device and the edge server. The total computation workload in the BP process is given by  $\gamma^b = \gamma_d^B(v) + \gamma_s^B(v)$ .<sup>5</sup> A shallow cut layer means heavy computation workloads on the edge server, while a deep cut layer means heavy computation workloads on the device.

Similar to (19), taking all latency components into account, the overall latency in each inner phase is given by

$$d_m^I = \max_{k \in \mathcal{K}_m} \{\tau_{g,k} + \tau_{u,k} + \tau_{d,k} + \tau_{s,k}\} + \tau_e, \forall m \in \mathcal{M}. \quad (22)$$

3) *Ending Phase*: The ending phase includes four latency components from SDGT, DMU, device-side model transmission (DMT), and model aggregation (MA). The first two components are analyzed above, and we analyze the rest two components. Regarding the DMT latency, each device transmits its device-side model to the AP using the allocated radio spectrum, and the corresponding latency is given by

$$\tau_{t,k} = \frac{\xi_d(v)}{x_{m,k} R_k^{UL}}, \forall k \in \mathcal{K}_m. \quad (23)$$

The MA latency is negligible since aggregating models using the FedAvg algorithm incurs a relatively low computational complexity. Taking all the latency components into account, the overall latency in the ending phase is given by

$$d_m^E = \max_{k \in \mathcal{K}_m} \{\tau_{g,k} + \tau_{u,k} + \tau_{t,k}\}, \forall m \in \mathcal{M} \quad (24)$$

where the maximization operation is to account that MA has to wait for the straggler device.

4) *Overall Training Latency*: With the results of all the phases in (19), (22), and (24), the per-cluster training latency is given by  $D_m(v, \mathbf{A}^t, \mathbf{x}_m^t) = d_m^S + (L-1)d_m^I + d_m^E$ . The

<sup>5</sup>Regarding the FP process,  $\gamma^F = \gamma_d^F(v) + \gamma_s^F(v)$ , where  $\gamma^F$  is the computation workload of the whole FP process.

overall training latency of the CPSL scheme in one training round with  $M$  clusters is given by

$$D^t(v, \mathbf{A}^t, \{\mathbf{x}_m^t\}_{m \in \mathcal{M}}) = \sum_{m \in \mathcal{M}} D_m(v, \mathbf{A}^t, \mathbf{x}_m^t), \quad (25)$$

which depends on device clustering decision  $\mathbf{A}^t$ , radio spectrum allocation decision  $\{\mathbf{x}_m^t\}_{m \in \mathcal{M}}$ , and cut layer selection decision  $v$ . Considering all training rounds, the overall latency is

$$\bar{D} = \sum_{t \in \mathcal{T}} D^t(\mathbf{A}^t, \{\mathbf{x}_m^t\}_{m \in \mathcal{M}}, v). \quad (26)$$

In the following, these decisions are optimized to minimize the training latency.

*Remark 1*: The cut layer selection decision determines not only communication overhead since the data sizes of the device-side model, smashed data, and smashed data's gradient depend on the cut layer, but also computation workload distribution between the device and the edge server. As such, the cut layer selection plays an important role in optimizing the training latency.

## VI. RESOURCE MANAGEMENT PROBLEM FORMULATION AND DECOMPOSITION

### A. Problem Formulation

Since device computing capabilities and channel conditions vary temporally, minimizing the long-term overall training latency is paramount. The proposed CPSL scheme requires jointly making cut layer selection, device clustering, and radio spectrum allocation decisions. To this end, we formulate the resource management problem to minimize the overall training latency:

$$\mathcal{P}: \min_{\substack{v, \{\mathbf{A}^t\}_{t \in \mathcal{T}}, \\ \{\mathbf{x}_m^t\}_{m \in \mathcal{M}} \\ t \in \mathcal{T}}} \sum_{t \in \mathcal{T}} D^t(v, \mathbf{A}^t, \{\mathbf{x}_m^t\}_{m \in \mathcal{M}}) \quad (27a)$$

$$\text{s.t.} \quad \sum_{n \in \mathcal{N}} a_{n,m}^t = K_m, \forall m \in \mathcal{M}, t \in \mathcal{T}, \quad (27b)$$

(10), (11), (12), and (13).

Constraint (27b) guarantees the number of devices in each cluster satisfies cluster capacity limit, and constraints (10), (11), (12), and (13) guarantee feasible decision variables.

Problem  $\mathcal{P}$  is a *stochastic mix-timescale* optimization problem. The problem is "stochastic" because the decisions are determined in presence of temporal dynamics of device computing capabilities and channel conditions during the training process. The problem is "mix-timescale" because the decisions are made in different timescales. The cut layer selection is determined for the entire training process (i.e., in a large timescale), while the device clustering and radio spectrum allocation are determined for each training round (i.e., in a small timescale). The device clustering and radio spectrum allocation decisions are coupled with each other, which further complicates the problem.

### B. Problem Decomposition

To solve problem  $\mathcal{P}$ , we first decompose it into two sub-problems in different timescales by exploiting the timescale



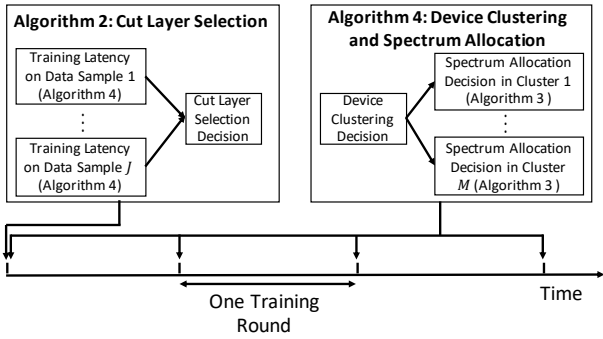


Fig. 6. Relationship among different components in the resource management algorithm.

separation of the decision variables.

**Subproblem 1: Large-timescale cut layer selection subproblem.** The optimal cut layer is selected for the entire training process to minimize the overall training latency, i.e.,

$$\begin{aligned} \mathcal{P}_L : \min_v \sum_{t \in \mathcal{T}} D^t(v, \mathbf{A}^t, \{\mathbf{x}_m^t\}_{m \in \mathcal{M}}) \\ \text{s.t. (10).} \end{aligned}$$

The above objective function is non-convex, because not only the data sizes of smashed data, smashed data's gradient, and the device-side model, but also the computation workloads of the device-side model's FP and BP processes are arbitrary functions with respect to the cut layer.

**Subproblem 2: Small-timescale device clustering and radio spectrum allocation subproblem.** At each training round  $t$ , the device clustering and radio spectrum allocation decisions are jointly optimized to minimize the one-round training latency:

$$\begin{aligned} \mathcal{P}_S : \min_{\mathbf{A}^t, \{\mathbf{x}_m^t\}_{m \in \mathcal{M}}} D^t(v, \mathbf{A}^t, \{\mathbf{x}_m^t\}_{m \in \mathcal{M}}) \\ \text{s.t. (11), (12), (13), and (27b).} \end{aligned}$$

In the subproblem, the optimization variables are integer. Hence, the problem is a combinatorial optimization problem, which is NP-hard (one of Karp's 21 NP-complete problems [41]). Moreover, according to the definitions of latency components in (22) and (24), the objective function is to minimize the maximum latency among all the participating devices in different stages, which is non-convex. As such, a low-complexity algorithm is desired.

The *relationship* between the above two subproblems is as follows. Given optimal cut layer  $v^*$  by solving Subproblem  $\mathcal{P}_L$ , the optimal device clustering decision,  $(\mathbf{A}^t)^*$ , and radio spectrum allocation decision,  $\{\mathbf{x}_m^t\}_{m \in \mathcal{M}}^*$ , can be obtained via solving Subproblem  $\mathcal{P}_S$  based on the collected network information at each training round. As such,  $\{v^*, (\mathbf{A}^t)^*, \{\mathbf{x}_m^t\}_{m \in \mathcal{M}}^*\}$  is the optimal solution for problem  $\mathcal{P}$ .

## VII. TWO-TIMESCALE RESOURCE MANAGEMENT ALGORITHM

In this section, a two-timescale resource management algorithm is proposed to jointly solve problem  $\mathcal{P}$ , consisting

### Algorithm 2: SAA-based cut layer selection algorithm.

- 1 Randomly draw  $J$  samples of device computing capabilities and channel conditions from historical data;
- 2 **for** each cut layer  $v \in \mathcal{V}$  **do**
- 3     Calculate the expected training latency  
 $\Delta(v) = \frac{1}{J} \sum_{j=1}^J D^t(v, \mathbf{A}^j, \{\mathbf{x}_m^j\}_{m \in \mathcal{M}})$  based on  $J$  data samples using Alg. 4;
- 4 **end**
- 5  $v^* = \arg \min_{v \in \mathcal{V}} \{\Delta(v)\}$ .

of an SAA-based cut layer selection algorithm and a Gibbs sampling-based joint device clustering and radio spectrum allocation algorithm.

For clarity, the relationship among different components in the proposed resource management algorithm is illustrated in Fig. 6. At the beginning of the entire training process, Alg. 2 determines the optimal cut layer decision, in which Alg. 4 is incorporated to measure the training latency performance over different data samples. At the beginning of each training round, Alg. 4 determines the joint device clustering and spectrum allocation decisions, in which Alg. 3 is incorporated to allocate radio spectrum for each cluster.

### A. Large Timescale: Cut Layer Selection Algorithm

In this subsection, we present the SAA-based algorithm to determine the optimal cut layer, consisting of the following steps.

Firstly, the objective function in problem  $\mathcal{P}_L$  can be approximated by

$$\sum_{t \in \mathcal{T}} D^t(v, \mathbf{A}^t, \{\mathbf{x}_m^t\}_{m \in \mathcal{M}}) \approx T \mathbb{E}_{\mathbf{f}, \mathbf{h}} [D(v, \mathbf{A}, \{\mathbf{x}_m\}_{m \in \mathcal{M}})]. \quad (30)$$

In (30),  $\mathbb{E}_{\mathbf{f}, \mathbf{h}} [D(v, \mathbf{A}, \{\mathbf{x}_m\}_{m \in \mathcal{M}})]$  represents the average per-round training latency, where  $\mathbf{f} = [f_1, f_2, \dots, f_N]$  and  $\mathbf{h} = [h_1, h_2, \dots, h_N]$  denote random variables of device computing capabilities and channel conditions, respectively. We assume that  $f_n$  follows a Gaussian distribution with mean  $\mu_{n,f}$  and variance  $\sigma_f^2$ , i.e.,  $f_n \sim \mathbb{N}(\mu_{n,f}, \sigma_f^2)$ ,  $\forall n \in \mathcal{N}$ , due to time-varying device computation workloads. Similarly, assume that  $h_n \sim \mathbb{N}(\mu_{n,h}, \sigma_h^2)$  due to shadowing effect in wireless channels. It is worth noting that the proposed algorithm can be applied to arbitrary distribution settings since the distribution information is not leveraged in the algorithm. The number of training rounds,  $T$ , depends on many factors, such as model structure and data distribution, which are independent of the decision variables. In this way, we aim to minimize the average per-round training latency.

Secondly, we leverage the SAA method [42]–[44] to approximate the average per-round training latency. The core idea of the SAA is to approximate the expectation of a random variable by its sample average. Specifically, several samples are drawn from the historical data of device computing capabilities and channel conditions to approximately compute the average per-round training latency. Let  $J$  denote the number of samples. For sample  $j$ , given the device computing capabilities and channel conditions, the corresponding device clustering

and radio spectrum allocation decisions,  $\mathbf{A}^j$  and  $\{\mathbf{x}_m^j\}_{m \in \mathcal{M}}$ , can be obtained using Alg. 4. As such, the sample-wise training latency is represented by  $D(v, \mathbf{A}^j, \{\mathbf{x}_m^j\}_{m \in \mathcal{M}})$ , and the average per-round training latency can be approximated by

$$\mathbb{E}_{\mathbf{f}, \mathbf{h}} [D(v, \mathbf{A}, \{\mathbf{x}_m\}_{m \in \mathcal{M}})] \approx \frac{1}{J} \sum_{j=1}^J D(v, \mathbf{A}^j, \{\mathbf{x}_m^j\}_{m \in \mathcal{M}}). \quad (31)$$

For a large value of  $J$ , such approximation is valid. Thus, the problem of finding the optimal cut layer can be converted into:

$$\mathcal{P}^C : \min_v \frac{1}{J} \sum_{j=1}^J D(\mathbf{A}^j, \{\mathbf{x}_m^j\}_{m \in \mathcal{M}}, v) \quad \text{s.t. (10).}$$

Thirdly, the problem can be solved via an exhaustive search method for a finite number of DNN layers. The detailed procedure of the proposed SAA-based algorithm is presented in Alg. 2. Specifically, given a cut layer, we can leverage the device clustering and radio spectrum allocation algorithm to calculate the average per-round training latency for all  $J$  samples. After examining all the possible cut layers, optimal cut layer  $v^*$  can be determined. The exhaustive search based algorithm can be conducted by the AP equipped with a high-end edge server in an offline manner, such that the computational complexity is affordable.

### B. Small Timescale: Joint Device Clustering and Radio Spectrum Allocation Algorithm

In each training round, device clustering and radio spectrum allocation decisions are jointly determined to minimize instantaneous one-round training latency based on device computing capabilities and channel conditions. For notation simplicity, we omit  $t$  in  $\mathbf{A}^t$  and  $\{\mathbf{x}_m^t\}_{m \in \mathcal{M}}$  in this subsection.

The device clustering and radio spectrum allocation decisions exhibit different properties. Given the device clustering decision, radio spectrum allocation decisions in each cluster are made independently. Moreover, the optimal spectrum allocation decision can be easily obtained via a greedy-based subroutine. Leveraging such property, we can decouple problem  $\mathcal{P}_S$  into a device clustering subproblem in the outer layer and multiple radio spectrum allocation subproblems in the inner layer, and propose a joint solution for them.

1) *Radio Spectrum Allocation Subproblem*: The proposed CPSL scheme sequentially trains clusters, such that the training latency is accumulated across clusters. In addition, radio spectrum allocation decisions are independent among clusters. As such, optimizing the per-round training latency problem can be converted to individually optimizing the training latency in each cluster. The radio spectrum (subcarrier) allocation subproblem for each cluster in the inner layer can be formulated as:

$$\mathcal{P}^S : \min_{\mathbf{x}_m} D_m(v^*, \mathbf{A}, \mathbf{x}_m) \quad \text{s.t. (12), and (13).} \quad (33a)$$

---

### Algorithm 3: Greedy-based radio spectrum allocation subroutine.

---

```

1 Initialization:  $x_{m,k} = 1, \forall k \in \mathcal{K}_m$ ;
2 for iteration = 1, 2, ...,  $C - K_m$  do
3    $\Omega = D_m(v^*, \mathbf{A}, \mathbf{x}_m)$ ;
4   for  $k = 1, 2, \dots, K_m$  do
5      $\hat{x}_{m,k} = x_{m,k} + 1$ ;
6      $\hat{\mathbf{x}}_m = \{x_{m,1}, x_{m,2}, \dots, \hat{x}_{m,k}, \dots, x_{m,K_m}\}$ ;
7      $\Omega_k = D_m(v^*, \mathbf{A}, \hat{\mathbf{x}}_m)$ ;
8   end
9    $k^* = \arg \max_{k \in \mathcal{K}_m} \{\Omega - \Omega_k\}$ ;
10   $x_{m,k^*} = x_{m,k^*} + 1$ ;
11 end
```

---

Objective function  $D_m(v^*, \mathbf{A}, \mathbf{x}_m)$  represents the training latency in cluster  $m$ , given optimal cut layer decision  $v^*$  and device clustering decision  $\mathbf{A}$ . Since optimizing variable  $\mathbf{x}_m$  is integer, problem  $\mathcal{P}^S$  is an integer optimization problem with a non-convex objective function, which cannot be solved via existing convex optimization methods.

To solve the problem efficiently, we propose a greedy-based radio spectrum allocation subroutine by leveraging the *diminishing gain* property of the problem. The diminishing gain property [45] means that, in the subcarrier allocation problem, the gain of reducing latency decreases with the number of allocated subcarriers. Hence, the available radio spectrum should be allocated to the device that can achieve the maximum gain. Specifically, the radio spectrum allocation decision is first initialized by allocating each device with one subcarrier. Then, an additional subcarrier is allocated to the device that can reduce the per-cluster training latency most until all the subcarriers have been allocated, as detailed in Alg. 3.

*Computational Complexity*: The algorithm needs to calculate  $D_m(v^*, \mathbf{A}, \hat{\mathbf{x}}_m)$  (Line 7) for  $K_m(C - K_m)$  times before the optimal spectrum allocation decision is identified. As such, we analyze the computational complexities of  $D_m(v^*, \mathbf{A}, \hat{\mathbf{x}}_m)$  and  $K_m(C - K_m)$ , respectively. Firstly, the computational complexity of  $D_m(v^*, \mathbf{A}, \hat{\mathbf{x}}_m)$  is relatively low. The spectrum allocation decision only impacts transmission-related latency components, including smashed data transmission latency  $\tau_{s,k}$  in (17), smashed data's gradient transmission latency  $\tau_{g,k}$  in (20), and device-side model update latency  $\tau_{g,k}$  in (23), all of which are simple division operations. Secondly, the number of devices in each cluster  $K_m$  is limited, e.g., the optimal cluster size over MNIST dataset in Fig. 9(a) is only 5, thereby resulting in a relative small number of iterations. Therefore, the computational complexity of Alg. 3 is affordable.

2) *Device Clustering Subproblem*: The device clustering subproblem in the outer layer is to determine the optimal device clustering decision, which can be formulated as follows:

$$\mathcal{P}^D : \min_{\mathbf{A}} D(v^*, \mathbf{A}, \{\mathbf{x}_m\}_{m \in \mathcal{M}}) \quad \text{s.t. (11), and (27b).} \quad (34a)$$

Objective function  $D(v^*, \mathbf{A}, \{\mathbf{x}_m\}_{m \in \mathcal{M}})$  represents the one-round training latency, given optimal cut layer  $v^*$ . The

---

**Algorithm 4:** Joint device clustering and radio spectrum allocation algorithm.

---

**Input:** Device computing capabilities  $\mathbf{f}$  and channel conditions  $\mathbf{h}$ ;

**Output:**  $\mathbf{A}$  and  $\{\mathbf{x}_m\}_{m \in \mathcal{M}}$ ;

1 Initialization: Randomly take a feasible device clustering decision  $\mathbf{A}$ , and obtain objective function value  $\Theta = D(v^*, \mathbf{A}, \{\mathbf{x}_m\}_{m \in \mathcal{M}})$ ;

2 **for**  $iteration = 1, 2, \dots, G$  **do**

3      $\triangleright$  New decision generation

4     Randomly choose device  $n \in \mathcal{K}_m$  and device  $n' \in \mathcal{K}_{m'}$  in two random clusters  $m$  and  $m'$ ;

5     Swap device association via  $\hat{a}_{n,m} = a_{n',m'}$ ,  $\hat{a}_{n',m'} = a_{n,m}$ ;

6     Obtain a new device clustering decision  $\hat{\mathbf{A}} = \{a_{1,1}, a_{1,2}, \dots, \hat{a}_{n,m}, \dots, \hat{a}_{n',m'}, \dots, a_{N,M}\}$ ;

7     **for** each cluster  $m \in \mathcal{M}$  **do**

8         Obtain the optimal radio spectrum allocation decision  $\{\hat{\mathbf{x}}_m\}$  in each cluster using Alg. 3;

9     **end**

10     $\triangleright$  Decision update

11    Obtain objective function value by  $\hat{\Theta} = D(v^*, \hat{\mathbf{A}}, \{\hat{\mathbf{x}}_m\}_{m \in \mathcal{M}})$  given  $\hat{\mathbf{A}}$  and  $\{\hat{\mathbf{x}}_m\}_{m \in \mathcal{M}}$ ;

12    Set  $\epsilon$  according to (35);

13    Set  $\{\mathbf{A}, \Theta\} = \{\hat{\mathbf{A}}, \hat{\Theta}\}$  with probability  $\epsilon$ ; otherwise, keep  $\mathbf{A}$  and  $\Theta$  unchanged.

14 **end**

---

optimization variable is the binary device clustering decision which depends on device computing capabilities and channel conditions. Hence, the subproblem is a binary optimization problem with the cluster capacity constraint. To solve the problem efficiently, we propose a device clustering algorithm based on the Gibbs sampling method, which can determine the optimal device clustering in an iterative manner [46], [47]. Let  $G$  denote the number of iterations until convergence. The radio spectrum allocation subroutine is embedded into the device clustering algorithm, such that the device clustering and radio spectrum allocation decisions are jointly determined.

3) *Joint Device Clustering and Radio Spectrum Allocation Algorithm:* The joint algorithm is presented in Alg. 4, which consists of the following two steps.

- *New decision generation:* Two random devices are selected from two random clusters, denoted by device  $m$  in cluster  $n$  and device  $m'$  in cluster  $n'$ . The corresponding device clustering decisions are swapped such that the capacity constraint in (11) is not violated, i.e.,  $\hat{a}_{n,m} \leftarrow a_{n',m'}$ ,  $\hat{a}_{n',m'} \leftarrow a_{n,m}$ . As such, we obtain a new device clustering decision  $\hat{\mathbf{A}} = \{a_{1,1}, a_{1,2}, \dots, \hat{a}_{n,m}, \dots, \hat{a}_{n',m'}, \dots, a_{N,N}\}$ . Given the new device clustering decision, the optimal radio spectrum allocation decisions for each cluster  $\{\hat{\mathbf{x}}_m\}_{m \in \mathcal{M}}$  can be solved using Alg. 3.
- *Decision update:* Given the joint device clustering and radio spectrum allocation decisions, the corresponding objective function value can be obtained via  $\hat{\Theta} \leftarrow D(v^*, \hat{\mathbf{A}}, \{\hat{\mathbf{x}}_m\}_{m \in \mathcal{M}})$ . Determine the probability of de-

Table II  
SIMULATION PARAMETERS.

Parameter	Value	Parameter	Value
$f_s$	100 GHz	$f_n$	0.5 GHz
$\xi_s$	18 KB	$\xi_g$	36.1 KB
$\xi_d$	0.67 MB	$\tau$	1
$B$	16	$N$	30
$D_n$	180	$W$	1 MHz
$C$	30	$\gamma_d^B$	5.6 MFlops
$\gamma_s^F$	5.6 MFlops	$\gamma_s^B$	86.01 MFlops
$\gamma_s^F$	86.01 MFlops	$K$	1
$\delta$	0.0001	$G$	1,000
$Q$	100	$N_m$	5
$\eta_d$	0.05	$\eta_e$	0.25
$\theta^{th}$	96%		

Table III  
LETNET MODEL STRUCTURE.

Index	Layer Name	NN Units	Activation
1	CONV1	32, 3 × 3	ReLU
2	CONV2	32, 3 × 3	ReLU
3	POOL1	2 × 2	None
4	CONV3	64, 3 × 3	ReLU
5	CONV4	64, 3 × 3	ReLU
6	POOL2	2 × 2	None
7	CONV5	128, 3 × 3	ReLU
8	CONV6	128, 3 × 3	ReLU
9	POOL3	2 × 2	None
10	FC1	382	ReLU
11	FC2	192	ReLU
12	FC3	10	Softmax

cision update via

$$\epsilon = \frac{1}{1 + e^{(\hat{\Theta} - \Theta)/\delta}}. \quad (35)$$

In (35),  $\delta$  is the smooth factor to control the tendency of new decision exploration. A larger value of  $\delta$  tends to explore new decisions with a higher probability. Then, with probability  $\epsilon$ , the updated device clustering decision is taken; otherwise, the device clustering decision remains the same.

When  $\delta$  approaches 0, the algorithm converges to the global optima with probability 1 [47].

## VIII. SIMULATION RESULTS

### A. Simulation Setup

We conduct extensive simulations to evaluate the performance of the proposed CPSL scheme and the resource management algorithm. Below we introduce the key components of the simulation. The main simulation parameters are listed in Table II.

The computing capability of the edge server is set to  $100 \times 10^9$  cycles/s. The number of devices is set to 30, and the radio spectrum bandwidth is set to 30 MHz, unless otherwise specified. The subcarrier bandwidth is set to 1 MHz. Two image classification datasets are used in the simulation: (1) *MNIST dataset*, where each data sample is an image associated with a label from ten classes of handwritten digits from “0” to “9” [48]; (2) *Fashion-MNIST dataset*, where each data sample is an image with a label associated with ten clothing

classes, such as “Shirt” and “Trouser” [49]; and (3) CIFAR-10 dataset, where each data sample is a colour image with a label associated with ten classes, such as “Airplane” and “Automobile” [50]. All datasets consist of a training dataset with 50,000 data samples for model training and a test dataset with 10,000 data samples for performance evaluation. In addition, data distribution at devices is non-IID, which widely exists in practical systems. We assume that each device has only three classes of data samples, and these three classes are randomly selected among ten classes. Each device possesses 180 data samples.

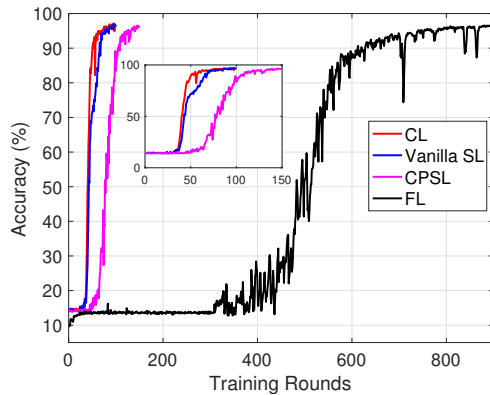
For MNIST and Fashion-MNIST datasets, we adopt a 12-layer chain-topology LeNet model [48], [51], which consists of six convolution (CONV) layers, three max-pooling (POOL) layers, and three fully-connected (FC) layers. The detailed model structure and model parameters are shown in Table III. The whole model has around 4.3 million parameters, and each parameter is quantized into 32 bits, leading to a data size of about 16.49 MB. The smashed data and its gradient are also quantized into 32 bits. There are 5 devices in a cluster. The mini-batch size is set to 16. For CIFAR-10 dataset, a 27-layer convolution neural network (CNN) consisting of 20 convolution layers followed by 7 fully-connected layers is adopted.<sup>6</sup> The seventh convolution layer is set to the cut layer. The whole model has around 5.8 million parameters, whose data size of about 22.32 MB.

### B. Performance Evaluation of the Proposed CPSL Scheme

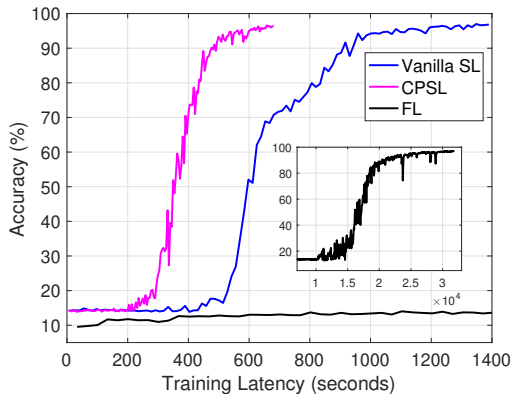
To better elaborate the performance evaluation of the proposed CPSL algorithm, we consider that devices are *identical* in terms of computing and communication capabilities. The computing capabilities and the received signal to noise (SNR) threshold of each device are set to  $0.5 \times 10^9$  cycles/s and 17 dB, respectively. Given the selected cut layer, the data size of the device-side model is 0.67 MB. The data sizes of smashed data and its gradient for one data sample are 18 KB and 9 KB, respectively. The FP computation workloads of the device-side model and the server-side model are 5.6 MFlops and 86.01 MFlops, respectively. The computation workloads of FP and BP processes are assumed to be the same for simplicity.

We compare the proposed CPSL algorithm with the following benchmark schemes: (1) *centralized learning (CL)*, which can achieve the optimal model convergence and accuracy. In practice, it is difficult to implement due to privacy leakage concerns and prohibitive communication overhead; (2) *vanilla SL*, where the AI model is sequentially trained across all the devices [19]; and (3) *FL*, where all the devices train the shared model locally, and then send the trained models to the edge server for new model aggregation in each iteration [5]. For fair comparison, all the schemes adopt the same model initialization. The learning rates of CL, vanilla SL, and FL schemes are optimized, which are set to 0.05, 0.05, and 0.1, respectively.

<sup>6</sup>The CNN model for the CIFAR-10 dataset: <https://zhenyena.github.io/blog/2018/09/28/pytorch-cnn-cifar10.html>.



(a) Number of training rounds



(b) Training latency

Fig. 7. Training performance comparison among different schemes over non-IID MNIST dataset.

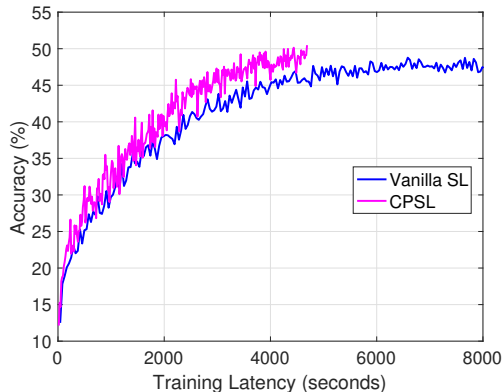
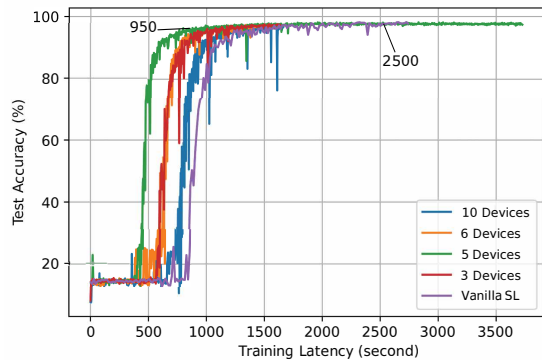
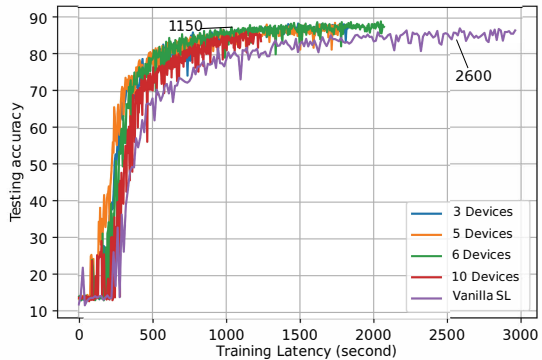


Fig. 8. Training latency comparison between the CPSL and SL over the CIFAR-10 dataset.

1) *Training Performance*: Fig. 7(a) shows the training performance of the proposed scheme and all the benchmarks. Several important observations can be obtained. Firstly, the proposed scheme can achieve nearly the same accuracy as CL and SL, which validates its remarkable performance, at the cost of more training rounds. This is because device-side model aggregation in each cluster slows down the model convergence. Specifically, the proposed scheme takes about twice training rounds to converge. Secondly, FL converges



(a) MNIST dataset



(b) Fashion-MNIST dataset

Fig. 9. Overall training latency with respect to the number of devices in a cluster.

much slower than other algorithms due to model aggregation among a large number of devices. In addition, due to a heavy device computation workload, FL takes extremely long training latency before convergence.

Since the per-round training latency of different schemes is different, we further evaluate the overall training latency in Fig. 7(b). The overall training latency is the product of the per-round training latency and the number of training rounds. The proposed scheme takes a shorter training latency than the SL to reach convergence. Specifically, the time consumed by the proposed scheme is about 600 seconds, while that by SL is about 1,200 seconds. The reason is that the per-round training latency of the proposed scheme is much smaller than that of the SL. Specifically, the per-round training latency of the CPSL, SL, and FL are 3.78 seconds, 13.90 seconds, and 33.43 seconds, respectively.

The CPSL performance is further evaluated on different datasets with different DNN models. Fig. 8 shows the training latency performance over the CIFAR-10 dataset. We can clearly see that the proposed CPSL converges faster than the vanilla SL benchmark while achieving similar model accuracy, which is similar to the observations on MNIST and Fashion-MNIST datasets. These simulation results validate the robustness of the proposed CPSL scheme.

2) *Impact of Cluster Size*: Fig. 9(a) compares the performance with respect to different numbers of devices  $N_m$  in a cluster. Several key observations can be obtained. Firstly, the number of devices in a cluster affects the training latency to

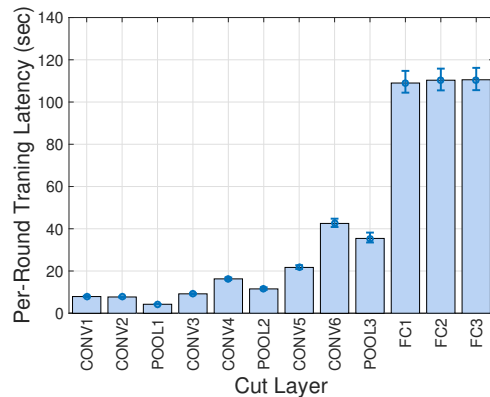


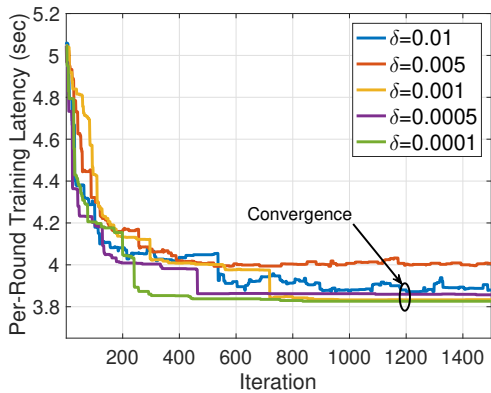
Fig. 10. Per-round training latency with respect to different cut layers. Error bars show the 95 percentile performance.

achieve convergence. Specifically, the proposed scheme with 5 devices in a cluster achieves the lowest training latency at about 950 seconds, indicating the optimal cluster size is 5 for the MNIST dataset, which is much shorter than of the vanilla SL scheme (about 2,500 seconds). Secondly, the proposed scheme for different numbers of devices from 3 to 10 can converge faster than SL because device-side models are trained in parallel in the proposed scheme. Thirdly, all the schemes achieve nearly the same accuracy at the end of the training process. This indicates that the proposed scheme does not incur any accuracy loss while reducing the training latency. A similar simulation is conducted on the Fashion-MNIST dataset, with results shown in Fig. 9(b). It can be seen that the proposed scheme effectively reduces overall training latency as compared with SL while preserving model accuracy. Specifically, we can observe the proposed scheme with 6 devices takes about 1,150 seconds until the model converges, while the vanilla SL scheme takes about 2,600 seconds. For the Fashion-MNIST dataset, the optimal cluster size is 6. The difference of optimal cluster size implies that the optimal cluster size is related to input data type, as well as data distribution.

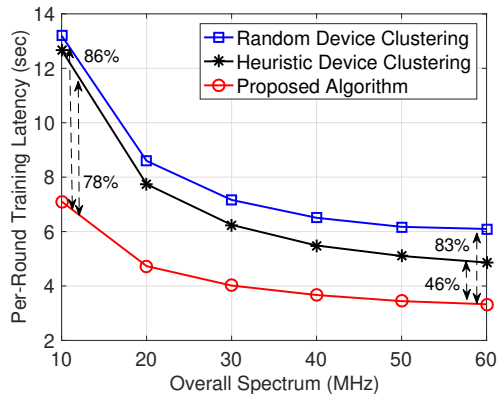
### C. Performance Evaluation of the Proposed Resource Management Algorithm

We evaluate the performance of the proposed resource management algorithm by taking device heterogeneity and network dynamics into account. In the following simulations, the mean values of device computing capability and the SNR of the received signal are randomly drawn from uniform distributions within  $[0.1, 1] \times 10^9$  cycles/s and  $[5, 30]$  dB, respectively. Standard deviation  $\sigma_f$  and  $\sigma_h$  are set to  $0.05 \times 10^9$  cycles/s and 2 dB, respectively.

Figure 10 presents per-round training latency with respect to different cut layers over 300 simulation runs. The cut layer POOL1 layer achieves the minimum average per-round training latency, which is selected as the optimal cut layer. This is because this layer results in a small amount of communication overhead and balances the computation workload between the device and the edge server.



(a) Convergence



(b) Training latency

Fig. 11. Performance comparison among the proposed algorithm and benchmarks.

Figure 11(a) shows the convergence process of the proposed resource management algorithm. When smooth factor  $\delta = 0.0001$ , the proposed algorithm converges after about 1,000 iterations, although it stays in several local optima for a while before identifying the global optimum. However, further increasing the value of smooth factor (e.g.,  $\delta = 0.01$ ) may impede the identification of global optimum and result in the convergence to inferior solutions.

Figure 11(b) compares the proposed algorithm with two benchmarks: (1) *heuristic device clustering algorithm*, where devices with similar computing capabilities are partitioned into clusters; and (2) *random device clustering algorithm*, which partitions devices into random clusters. We see that the proposed algorithm can significantly reduce per-round training latency as compared with the benchmarks, because device clustering and radio spectrum allocation are optimized. Specifically, the proposed algorithm reduces the training latency on average by 80.1% and 56.9% as compared with the heuristic and random benchmarks, respectively. In addition, the performance gain achieved in spectrum-limited scenarios (e.g., 10 MHz) is higher than that in the scenarios with more radio spectrum resources (e.g., 60 MHz), highlighting the significance of the proposed resource management algorithm in alleviating the straggler effect of CPSL in spectrum-limited wireless networks.

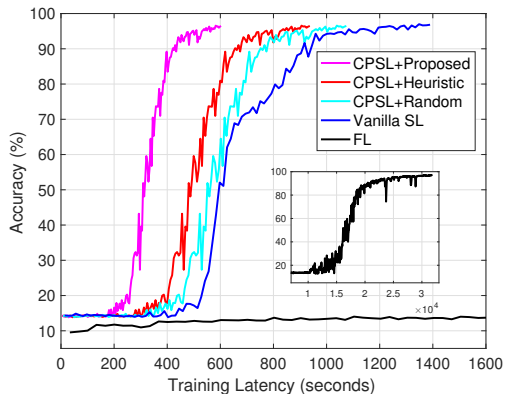


Fig. 12. Overall performance comparison taking parallel design and resource management into account.

#### D. Overall Performance Evaluation

Figure 12 shows the overall performance of the proposed scheme taking both parallel design and resource management into account. The training latency of the proposed scheme is about 550 seconds, which is much smaller than that of the CPSL with heuristic device clustering (about 870 seconds), the CPSL with random device clustering (about 1,000 seconds), and the vanilla SL (about 1,200 seconds). The simulation results validate that the training latency reduction benefit is achieved by two-part joint design. It is interesting to note that, the performance of the CPSL scheme with random device clustering is close to that of the vanilla SL. The reason is that the poor device clustering decision renders significant straggler effect, which undermines the performance gain by exploiting parallelism.

## IX. CONCLUSION

In this paper, we have investigated a training latency reduction problem in SL over wireless networks. We have proposed the CPSL scheme which introduces parallelism to reduce training latency. Furthermore, we have proposed a two-timescale resource management algorithm for the CPSL to minimize the training latency in wireless networks by taking network dynamics and device heterogeneity into account. Extensive simulation results validate the effectiveness of the proposed solutions in reducing training latency as compared with the existing SL and FL schemes. Due to low communication overhead, device computation workload, and training latency, the CPSL scheme can be applied to facilitate AI model training in spectrum-limited wireless networks with a large number of resource-constrained IoT devices. For future work, we will investigate the impact of device mobility on SL performance.

## ACKNOWLEDGMENT

This work was financially supported by the Natural Sciences and Engineering Research Council of Canada (NSERC) and Huawei Technologies Canada. The authors would like to thank Zehao Zhang and Penghui Hu for their help in conducting simulations. The authors also thank Jie Gao and Qihao Li for helpful feedback and suggestions throughout the work.

## REFERENCES

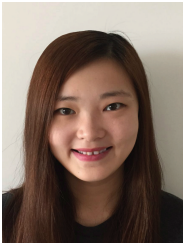
- [1] D. Gündüz, P. de Kerret, N. Sidiropoulos, D. Gesbert, C. Murthy, and M. van der Schaar, "Machine learning in the air," *IEEE J. Sel. Areas in Commun.*, vol. 37, no. 10, pp. 2184–2199, Oct. 2019.
- [2] L. Chen and J. Xu, "Seek common while shelving differences: Orchestrating deep neural networks for edge service provisioning," *IEEE J. Sel. Areas Commun.*, vol. 39, no. 1, pp. 251–264, Jan. 2021.
- [3] G. D. P. Regulation, "General data protection regulation (GDPR)," *Intersoft Consulting*, vol. 24, no. 1, 2018.
- [4] X. Shen, C. Huang, D. Liu, L. Xue, W. Zhuang, R. Sun, and B. Ying, "Data management for future wireless networks: Architecture, privacy preservation, and regulation," *IEEE Network*, vol. 35, no. 1, pp. 8–15, Jan. 2021.
- [5] K. Bonawitz, H. Eichner, W. Grieskamp, D. Huba, A. Ingerman, V. Ivanov, C. Kiddon, J. Konečný, S. Mazzocchi, H. B. McMahan *et al.*, "Towards federated learning at scale: System design," in *Proc. MLSys*, 2019, pp. 1–15.
- [6] Y. Gao, M. Kim, S. Abuadba, Y. Kim, C. Thapa, K. Kim, S. A. Camtepe, H. Kim, and S. Nepal, "End-to-end evaluation of federated learning and split learning for Internet of things," *arXiv preprint arXiv:2003.13376*, 2020.
- [7] L. Liu, J. Zhang, S. Song, and K. B. Letaief, "Client-edge-cloud hierarchical federated learning," in *Proc. IEEE ICC*, 2020, pp. 1–6.
- [8] W. Zhang, D. Yang, W. Wu, H. Peng, N. Zhang, H. Zhang, and X. Shen, "Optimizing federated learning in distributed industrial IoT: A multi-agent approach," *IEEE J. Sel. Areas Commun.*, vol. 39, no. 12, pp. 3688–3703, Dec. 2021.
- [9] K. Yang, T. Jiang, Y. Shi, and Z. Ding, "Federated learning via over-the-air computation," *IEEE Trans. Wireless Commun.*, vol. 19, no. 3, pp. 2022–2035, Mar. 2020.
- [10] P. Han, S. Wang, and K. K. Leung, "Adaptive gradient sparsification for efficient federated learning: An online learning approach," in *Proc. IEEE ICDCS*, 2020, pp. 300–310.
- [11] J. Zhang, N. Li, and M. Dedeoglu, "Federated learning over wireless networks: A band-limited coordinated descent approach," in *Proc. IEEE INFOCOM*, 2021, pp. 1–10.
- [12] M. Chen, Z. Yang, W. Saad, C. Yin, H. V. Poor, and S. Cui, "A joint learning and communications framework for federated learning over wireless networks," *IEEE Trans. Wireless Commun.*, vol. 20, no. 1, pp. 269–283, Jan. 2021.
- [13] Z. Yang, M. Chen, W. Saad, C. S. Hong, and M. Shikh-Bahaei, "Energy efficient federated learning over wireless communication networks," *IEEE Trans. Wireless Commun.*, vol. 20, no. 3, pp. 1935–1949, Mar. 2020.
- [14] X. Mo and J. Xu, "Energy-efficient federated edge learning with joint communication and computation design," *J. Commun. & Inf. Netw.*, vol. 6, no. 2, pp. 110–124, 2nd Quart., 2021.
- [15] M. Chen, D. Gündüz, K. Huang, W. Saad, M. Bennis, A. V. Feljan, and H. V. Poor, "Distributed learning in wireless networks: Recent progress and future challenges," *IEEE J. Sel. Areas Commun.*, 2021.
- [16] J. Kang, Z. Xiong, D. Niyato, Y. Zou, Y. Zhang, and M. Guizani, "Reliable federated learning for mobile networks," *IEEE Wireless Commun.*, vol. 27, no. 2, pp. 72–80, 2020.
- [17] X. Shen, J. Gao, W. Wu, M. Li, C. Zhou, and W. Zhuang, "Holistic network virtualization and pervasive network intelligence for 6G," *IEEE Commun. Surveys Tuts.*, vol. 24, no. 1, pp. 1–30, 1st. Quart. 2022.
- [18] X. Shen, J. Gao, W. Wu, K. Lyu, M. Li, W. Zhuang, X. Li, and J. Rao, "AI-assisted network-slicing based next-generation wireless networks," *IEEE Open J. Veh. Technol.*, vol. 1, no. 1, pp. 45–66, Jan. 2020.
- [19] O. Gupta and R. Raskar, "Distributed learning of deep neural network over multiple agents," *J. Net. Comp. Appl.*, vol. 116, pp. 1–8, 2018.
- [20] C. Thapa, M. Chamikara, and S. Camtepe, "Advancements of federated learning towards privacy preservation: From federated learning to split learning," *arXiv:2011.14818*, 2020.
- [21] OpenMined, "SplitNN," [Online]. Available: <https://blog.openmined.org/tag/splitnn/>, 2020.
- [22] Adam James Hall, "Split Neural Networks on PySyft," [Online]. Available: <https://medium.com/analytics-vidhya/split-neural-networks-on-pysyft-ed2abf6385c0>, 2020.
- [23] Acuratio, [Online]. Available: <https://www.acuratio.com>, 2020.
- [24] Y. Koda, J. Park, M. Bennis, K. Yamamoto, T. Nishio, M. Morikura, and K. Nakashima, "Communication-efficient multimodal split learning for mmWave received power prediction," *IEEE Commun. Lett.*, vol. 24, no. 6, pp. 1284–1288, Jun. 2020.
- [25] M. G. Poirot, P. Vepakomma, K. Chang, J. Kalpathy-Cramer, R. Gupta, and R. Raskar, "Split learning for collaborative deep learning in healthcare," *arXiv preprint arXiv:1912.12115*, 2019.
- [26] A. Singh, P. Vepakomma, O. Gupta, and R. Raskar, "Detailed comparison of communication efficiency of split learning and federated learning," *arXiv preprint arXiv:1909.09145*, 2019.
- [27] C. Thapa, M. A. P. Chamikara, and S. Camtepe, "Splitfed: When federated learning meets split learning," *arXiv preprint arXiv:2004.12088*, 2020.
- [28] D. Pasquini, G. Ateniese, and M. Bernaschi, "Unleashing the tiger: Inference attacks on split learning," in *Proc. ACM CCS*, 2021, pp. 2113–2129.
- [29] P. Vepakomma, O. Gupta, T. Swedish, and R. Raskar, "Split learning for health: Distributed deep learning without sharing raw patient data," *arXiv preprint arXiv:1812.00564*, 2018.
- [30] L. Zhang and J. Xu, "Learning the optimal partition for collaborative DNN training with privacy requirements," *IEEE Internet Things J.*, DOI: 10.1109/JIOT.2021.3127715, 2021.
- [31] S. Wang, X. Zhang, H. Uchiyama, and H. Matsuda, "HiveMind: Towards cellular native machine learning model splitting," *IEEE J. Sel. Areas Commun.*, vol. 40, no. 2, pp. 626–640, Feb. 2022.
- [32] V. Turina, Z. Zhang, F. Esposito, and I. Matta, "Combining split and federated architectures for efficiency and privacy in deep learning," in *Proc. ACM CONEXT*, 2020, pp. 562–563.
- [33] J. Jeon and J. Kim, "Privacy-sensitive parallel split learning," in *Proc. IEEE ICOIN*, 2020, pp. 7–9.
- [34] S. Wang, T. Tuor, T. Salonidis, K. Leung, C. Makaya, T. He, and K. Chan, "Adaptive federated learning in resource constrained edge computing systems," *IEEE J. Sel. Areas Commun.*, vol. 37, no. 6, pp. 1205–1221, June 2019.
- [35] X. Lin, B. Hofström, Y.-P. E. Wang, G. Masini, H.-L. Maattanen, H. Rydén, J. Sedin, M. Stattin, O. Liberg, S. Euler *et al.*, "5G new radio evolution meets satellite communications: Opportunities, challenges, and solutions," *5G and Beyond*, pp. 517–531, 2021.
- [36] A. Gaber, M. A. ElBahaay, A. M. Mohamed, M. M. Zaki, A. S. Abdo, and N. AbdelBaki, "5G and satellite network convergence: Survey for opportunities, challenges and enabler technologies," in *Proc. IEEE NILES*, 2020, pp. 366–373.
- [37] L. Liang, H. Ye, and G. Y. Li, "Spectrum sharing in vehicular networks based on multi-agent reinforcement learning," *IEEE J. Sel. Areas Commun.*, vol. 37, no. 10, pp. 2282–2292, Oct. 2019.
- [38] W. Wu, N. Chen, C. Zhou, M. Li, X. Shen, W. Zhuang, and X. Li, "Dynamic RAN slicing for service-oriented vehicular networks via constrained learning," *IEEE J. Sel. Areas Commun.*, vol. 39, no. 7, pp. 2076–2089, July 2021.
- [39] X. Zhang, X. Zhou, M. Lin, and J. Sun, "Shufflenet: An extremely efficient convolutional neural network for mobile devices," in *Proc. IEEE CVPR*, 2018, pp. 6848–6856.
- [40] Q. Zeng, Y. Du, K. Huang, and K. K. Leung, "Energy-efficient resource management for federated edge learning with CPU-GPU heterogeneous computing," *IEEE Trans. Wireless Commun.*, vol. 20, no. 12, pp. 7947–7962, Dec. 2021.
- [41] R. M. Karp, "Reducibility among combinatorial problems," in *Complexity of Computer Computations*. Springer, 1972, pp. 85–103.
- [42] J. Tang, B. Shim, and T. Q. Quek, "Service multiplexing and revenue maximization in sliced C-RAN incorporated with URLLC and multicast eMBB," *IEEE J. Sel. Areas Commun.*, vol. 37, no. 4, pp. 881–895, Apr. 2019.
- [43] R. Sun, Y. Wang, N. Cheng, L. Lyu, S. Zhang, H. Zhou, and X. Shen, "QoE-driven transmission-aware cache placement and cooperative beamforming design in cloud-RANs," *IEEE Trans. Veh. Technol.*, vol. 69, no. 1, pp. 636–650, Jan. 2020.
- [44] J. Tang, T. Q. Quek, T.-H. Chang, and B. Shim, "Systematic resource allocation in cloud RAN with caching as a service under two timescales," *IEEE Trans. Commun.*, vol. 67, no. 11, pp. 7755–7770, Nov. 2019.
- [45] H. Wu, J. Chen, C. Zhou, J. Li, and X. Shen, "Learning-based joint resource slicing and scheduling in space-terrestrial integrated vehicular networks," *J. Commun. & Inf. Netw.*, vol. 6, no. 3, pp. 208–223, 3rd Quart., 2021.
- [46] C. Robert and G. Casella, *Monte Carlo statistical methods*. Springer Science & Business Media, 2013.
- [47] J. Xu, L. Chen, and P. Zhou, "Joint service caching and task offloading for mobile edge computing in dense networks," in *Proc. IEEE INFOCOM*, 2018, pp. 207–215.
- [48] Y. LeCun, L. Bottou, Y. Bengio, and P. Haffner, "Gradient-based learning applied to document recognition," *Proc. IEEE*, vol. 86, no. 11, pp. 2278–2324, Nov. 1998.

- [49] H. Xiao, K. Rasul, and R. Vollgraf, "Fashion-MNIST: A novel image dataset for benchmarking machine learning algorithms," *arXiv preprint arXiv:1708.07747*, 2017.
- [50] A. Krizhevsky, G. Hinton *et al.*, "Learning multiple layers of features from tiny images," 2009.
- [51] T. Nishio and R. Yonetani, "Client selection for federated learning with heterogeneous resources in mobile edge," in *Proc. IEEE ICC*, 2019, pp. 1–7.



**Wen Wu** (S'13-M'20-SM'22) earned the Ph.D. degree in Electrical and Computer Engineering from University of Waterloo, Waterloo, ON, Canada, in 2019. He received the B.E. degree in Information Engineering from South China University of Technology, Guangzhou, China, and the M.E. degree in Electrical Engineering from University of Science and Technology of China, Hefei, China, in 2012 and 2015, respectively. He worked as a Postdoctoral Fellow with the Department of Electrical and Computer Engineering, University of Waterloo.

He is currently an Associate Researcher at the Frontier Research Center, Peng Cheng Laboratory, Shenzhen, China. His research interests include 6G networks, network intelligence, and network virtualization.



**Mushu Li** (S'18-M'21) received the Ph.D. degree in Electrical and Computer Engineering from the University of Waterloo, Canada, in 2021. She is currently a Postdoctoral Fellow at Toronto Metropolitan University, ON, Canada. She was a Postdoctoral Fellow with the University of Waterloo, ON, Canada, from 2021 to 2022. Her research interests include mobile edge computing, the system optimization in wireless networks, and machine learning-assisted network management. She was the recipient of Natural Science and Engineering Research Council of

Canada (NSERC) Postdoctoral Fellowship (2022), NSERC Canada Graduate Scholarship (2018), and Ontario Graduate Scholarship (2015 and 2016).



**Kaige Qu** (M'21) received the B.S. degree in communication engineering from Shandong University, Jinan, China, in 2013, and the M.S. degrees in integrated circuits engineering and electrical engineering from Tsinghua University, Beijing, China, and KU Leuven, Leuven, Belgium, in 2016. She received her Ph.D. degree in Electrical and Computer Engineering from University of Waterloo, Waterloo, Canada, in 2021. Since February 2021, she has been a Postdoctoral Fellow with the Department of Electrical and Computer Engineering, University of

Waterloo. Her research interests include network slicing, edge intelligence, machine learning for wireless networks, connected autonomous vehicles, and digital twin assisted network automation.



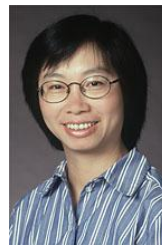
**Conghao Zhou** (S'19) received the Ph.D. degree in Electrical and Computer Engineering from University of Waterloo, Waterloo, ON, Canada, in 2022. He received the B.Eng. degree from Northeastern University, Shenyang, China, in 2017 and the M.Sc. degree from University of Illinois at Chicago, Chicago, IL, USA, in 2018. He is currently a Postdoctoral Fellow at University of Waterloo, Waterloo, ON, Canada. His research interests include space-air-ground integrated networks, multi-tier computing, and machine learning in wireless networks.



**Xuemin (Sherman) Shen** (M'97-SM'02-F'09) received the Ph.D. degree in electrical engineering from Rutgers University, New Brunswick, NJ, USA, in 1990. He is a University Professor with the Department of Electrical and Computer Engineering, University of Waterloo, Canada. His research focuses on network resource management, wireless network security, Internet of Things, 5G and beyond, and vehicular ad hoc and sensor networks. Dr. Shen is a registered Professional Engineer of Ontario, Canada, an Engineering Institute of Canada Fellow, a

Canadian Academy of Engineering Fellow, a Royal Society of Canada Fellow, a Chinese Academy of Engineering Foreign Member, and a Distinguished Lecturer of the IEEE Vehicular Technology Society and Communications Society.

Dr. Shen received the R.A. Fessenden Award in 2019 from IEEE, Canada, Award of Merit from the Federation of Chinese Canadian Professionals (Ontario) in 2019, James Evans Avant Garde Award in 2018 from the IEEE Vehicular Technology Society, Joseph LoCicero Award in 2015 and Education Award in 2017 from the IEEE Communications Society, and Technical Recognition Award from Wireless Communications Technical Committee (2019) and AHSN Technical Committee (2013). He has also received the Excellent Graduate Supervision Award in 2006 from the University of Waterloo and the Premier's Research Excellence Award (PREA) in 2003 from the Province of Ontario, Canada. He served as the Technical Program Committee Chair/Co-Chair for IEEE Globecom'16, IEEE Infocom'14, IEEE VTC'10 Fall, IEEE Globecom'07, and the Chair for the IEEE Communications Society Technical Committee on Wireless Communications. Dr. Shen is the President of the IEEE Communications Society. He was the Vice President for Technical & Educational Activities, Vice President for Publications, Member-at-Large on the Board of Governors, Chair of the Distinguished Lecturer Selection Committee, Member of IEEE Fellow Selection Committee of the ComSoc. Dr. Shen served as the Editor-in-Chief of the IEEE IoT JOURNAL, IEEE Network, and IET Communications.



**Weihua Zhuang** (M'93-SM'01-F'08) received the B.Sc. and M.Sc. degrees from Dalian Maritime University, China, and the Ph.D. degree from the University of New Brunswick, Canada, all in electrical engineering. Since 1993, she has been a faculty member in the Department of Electrical and Computer Engineering, University of Waterloo, Canada, where she is a University Professor and a Tier I Canada Research Chair in wireless communication networks. Her current research focuses on network architecture, algorithms and protocols, and service

provisioning in future communication systems. She is the recipient of Women's Distinguished Career Award in 2021 from IEEE Vehicular Technology Society, R.A. Fessenden Award in 2021 from IEEE Canada, Award of Merit in 2021 from the Federation of Chinese Canadian Professionals (Ontario), and Technical Recognition Award in Ad Hoc and Sensor Networks in 2017 from IEEE Communications Society.

Dr. Zhuang is a Fellow of the IEEE, Royal Society of Canada (RSC), Canadian Academy of Engineering (CAE), and Engineering Institute of Canada (EIC). She is the Executive Vice President and an elected member of the Board of Governors (BoG) of the IEEE Vehicular Technology Society. She was the Editor-in-Chief of IEEE Transactions on Vehicular Technology (2007-2013), an editor of IEEE Transactions on Wireless Communications (2005-2009), General Co-Chair of IEEE/CIC International Conference on Communications in China (ICCC) 2021, Technical Program Committee (TPC) Chair/Co-Chair of IEEE Vehicular Technology Conference 2017 Fall and 2016 Fall, TPC Symposia Chair of the IEEE Globecom 2011, and an IEEE Communications Society Distinguished Lecturer (2008-2011).





**Xu Li** is a senior principal researcher at Huawei Technologies Canada. He received a PhD (2008) degree from Carleton University, an MSc (2005) degree from the University of Ottawa, and a BSc (1998) degree from Jilin University, China, all in computer science. Prior to joining Huawei, he worked as a research scientist (with tenure) at Inria, France. His current research interests are focused in design and development of next-generation wireless systems. He contributed extensively to the development of 3GPP 5G standards through 100+ standard

proposals. He has published 100+ refereed scientific papers and is holding 80+ US patents. He was on the editorial boards of IEEE Communications Magazine, the IEEE Transactions on Parallel and Distributed Systems, the Wiley Transactions on Emerging Telecommunications Technologies and a number of other international archive journals.



**Weisen Shi** received the B.S. degree from Tianjin University, Tianjin, China, in 2013, the M.S. degree from the Beijing University of Posts and Telecommunications, Beijing, China, in 2016, and the Ph.D. degree from the Department of Electrical and Computer Engineering, University of Waterloo, Waterloo, ON, Canada, in 2020. He is currently a senior engineer with Huawei Technologies Canada, Inc., Ottawa, ON, Canada. His interests include AI in networks, space-air-ground integrated networks, UAV communication and networking, and RAN

slicing.